

CABINETRY GUIDE

Choice Select® &
Choice Essentials®



Why choose Our Cabinets?

OUR CABINETS

Our all wood cabinets are made of only the finest materials – no particleboard, glue, or staples, which is why we're considered an industry leader in the stock and ready-to-assemble cabinetry market. We offer more than 150 different sizes and carry over 50,000 cabinets on hand in our warehouse at any given time, so our high quality cabinets are immediately available to meet even the shortest of lead times.

Quality cabinets should be judged by two distinct characteristics – beauty and strength. Choice Cabinet has strategically identified and offers the most popular door styles and finishes. We stock traditional and contemporary styles in an ample variety of finishes and colors. While an elegantly designed and attractive door style is nice, you can't judge a cabinet only by its appearance. What's behind the door is even more important.

All of our cabinetry is certified by the Kitchen Cabinet Manufacturers Association (KCMA) and complies with the requirements of NSI/KCMA A161.1. We're also proud to be a TSCA Title VI and CARB2 Compliant cabinet manufacturer.

OUR VALUE & SERVICE

We offer affordable kitchen cabinets. When you buy from Signature Cabinets Direct, you get attractive, quality made cabinets at substantial savings – direct from the manufacturer. You might assume that the level of quality you find in our cabinets is beyond your budget, but because there is no middleman, we can offer a best price guarantee. If you shop us against other cabinet manufacturers you'll find at the big box store, the sort of value and quality we provide can't be matched at our price point.

Because of our company's years of experience in the cabinet and kitchen design industry, we know what it takes to build an attractive and quality cabinet for every room of your home. Most other major manufacturers are selling particle-board cabinets, but will offer an upgrade to wood at an additional charge of up to 20 percent. Our cabinets are made from the thickest wood in the industry yet are still affordably priced. They have every feature you would expect from a premier line of cabinets. And we continue to emphasize that the design and layout of the kitchen are just as important as the quality cabinets themselves.

OUR MISSION & CULTURE

The Signature Cabinets Direct team brings stewardship and ministry to the forefront of our core values and culture. We encourage all employees to be involved in their communities as part of their life style. It is our goal to promote servant hearts by supporting both local and national non-profit ministries. As our employees commit to helping others, the Signature Cabinets Direct team makes every effort to provide the time and resources required to service those in need.

Choice Select®

Our Choice Select® line features both transitional Shaker-style doors and contemporary Shaker-style doors. These cabinets are stylish, yet functional and are built to last. They also come standard with soft close glides and hinges. The Choice Select® line is constructed to stand up to any lifestyle.

FREMONT
PAGES 6-7

FROST
PAGES 10-11



GRAPHITE
PAGES 8-9

STERLING
PAGES 12-13

LIFETIME LIMITED
WARRANTY:



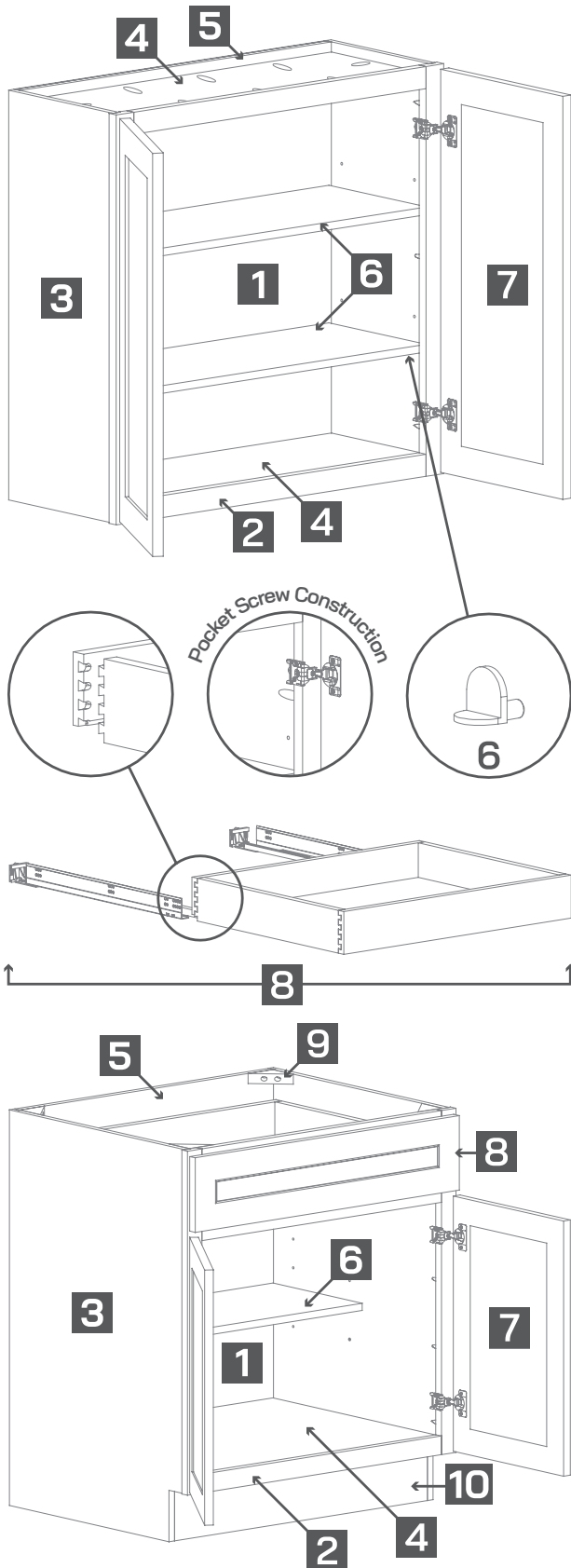
KCMA
CERTIFIED:



EPA
COMPLIANCE:



Construction



- 1** Natural hardwood interior
- 2** 3/4" solid hardwood face frame
- 3** 1/2" veneered plywood end panels with matching exterior finish
- 4** 1/2" veneered plywood, captured floor and ceiling panels with natural finish
- 5** 5/8" framed plywood back*
- 6** 3/4" veneered plywood half depth, adjustable shelving with metal shelf clips**
- 7** Full overlay solid hardwood stile and rail with veneered or painted MDF center panel and 6-way adjustable, concealed soft-close hinges
- 8** Full overlay 5-piece drawer front with 1/2" finger jointed hardwood dovetailed drawer box, 3/8" veneered plywood drawer bottom, and full extension undermount soft-close drawer glides
- 9** 3/4" solid wood corner braces
- 10** 4-1/2" high and 1/2" thick unfinished veneered plywood toe kick

(*) Temporary variance may occur in back panel construction.
 (**) Temporary variance may occur in shelf thickness.





With a white blank canvas, Fremont is the perfect balance of traditional and contemporary. The bright white finish works with any color palette, from neutral to bold. This transitional Shaker-style door touches the past while looking forward to the future.

DOOR STYLE FEATURES

- Full overlay
- White painted finish
- 5-piece drawer front
- Mortis and tenon
- Solid wood stile and rail
- MDF center panel
- Soft-close glides and hinges





Designed for the bold and creative, Graphite stands out in any space. The gray stain blends perfectly with neutral and muted colors. Create a dynamic yet inviting space with this stunning transitional Shaker-style door.

DOOR STYLE FEATURES

- Full overlay
- Gray stained finish
- 5-piece drawer front
- Mortis and tenon
- Solid wood stile and rail
- MDF center panel
- Soft-close glides and hinges





FROST

Create a bright and classic space with Frost. The simple profile gives you the freedom to truly express your personality and style. Stay with the minimalistic look or push the boundaries with this Shaker-style door.



DOOR STYLE FEATURES

- Full overlay
- White painted finish
- 5-piece drawer front
- Mortis and tenon
- Solid wood stile and rail
- MDF center panel
- Soft-close glides and hinges





Find the ideal blend of warmth and cool when you use Sterling. The classic styling allows you to create a space that's inviting and cozy. This Shaker-style door combines contemporary taste with modern color.



DOOR STYLE FEATURES

- Full overlay
- Gray painted finish
- 5-piece drawer front
- Mortis and tenon
- Solid wood stile and rail
- MDF center panel
- Soft-close glides and hinges

Choice Essentials®

We understand that kitchen and bath projects can get expensive, so we created the Choice Essentials® line. You can still expect the same all wood quality construction in this budget-friendly offering. The Choice Essentials® line is perfect for builders, contractors, and rental properties.

SUMMIT

PAGES 16-17



LEXINGTON

PAGES 18-19

BRENTWOOD

PAGES 20-21

1-YEAR LIMITED WARRANTY:



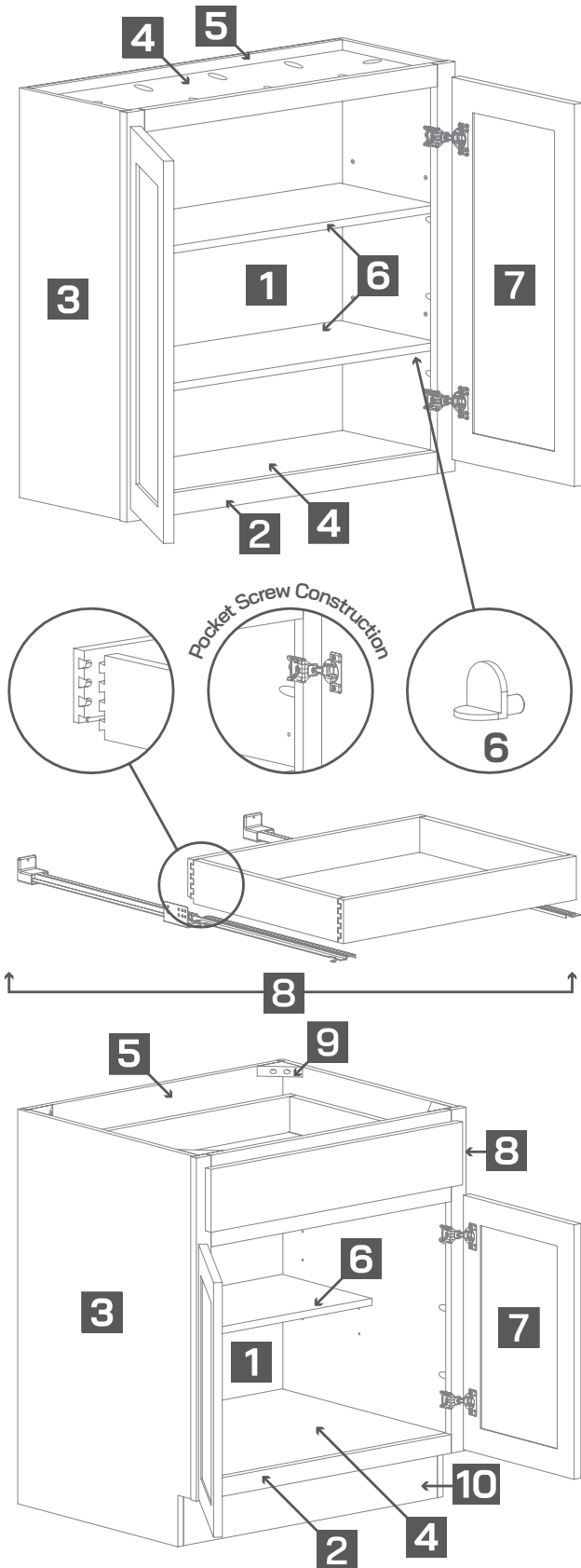
KCMA CERTIFIED:



EPA COMPLIANCE:



Construction



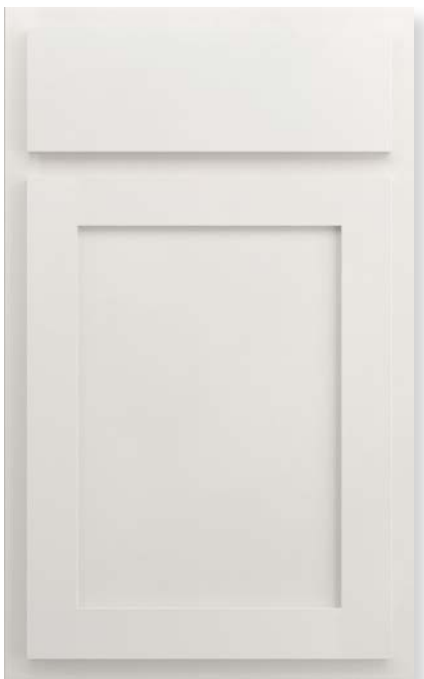
- 1** Natural hardwood interior
- 2** 3/4" solid hardwood face frame
- 3** 1/2" veneered plywood end panels with matching exterior finish
- 4** 1/2" veneered plywood captured floor and ceiling panels with natural finish
- 5** 5/8" framed plywood back*
- 6** 3/4" veneered plywood half depth, adjustable shelving with metal shelf clips**
- 7** Partial overlay solid hardwood stile and rail with veneered or painted MDF center panel and 6-way adjustable, concealed hinges***
- 8** Partial overlay veneered or painted MDF slab drawer front with 1/2" finger jointed hardwood dovetailed drawer box, 3/8" veneered plywood drawer bottom, and 3/4 extension undermount drawer glides
- 9** 3/4" solid wood corner braces
- 10** 4-1/2" high and 1/2" thick unfinished veneered plywood toe kick

(*) Temporary variance may occur in back panel construction.
 (**) Temporary variance may occur in shelf thickness.
 (***) Summit has an MDF stile and rail.





Refresh and energize your space with Summit. This bright white cabinet is perfect for both the farmhouse or and modern look. The Shaker-style door suites a variety of tastes.



DOOR STYLE FEATURES

- Partial overlay
- White painted finish
- Slab drawer front
- Mortis and tenon door
- MDF stile and rail
- MDF center panel
- Standard glides and hinges (soft close optional)





LEXINGTON

Create a beautiful and lavish space with Lexington. The warm brown tones are charming yet modern. Lexington is an excellent balance of sophistication and style.



DOOR STYLE FEATURES

- Partial overlay
- Brown stained finish
- Slab drawer front
- Mortis and tenon door
- Solid wood stile and rail
- Veneered MDF center panel
- Standard glides and hinges (soft close optional)





BRENTWOOD

The superb mix of dynamic and dark, Brentwood sets the mood and atmosphere of any space. The simple slab drawer front incorporates clean and sleek lines. Take any space and make it cozy and comfortable with Brentwood.



DOOR STYLE FEATURES

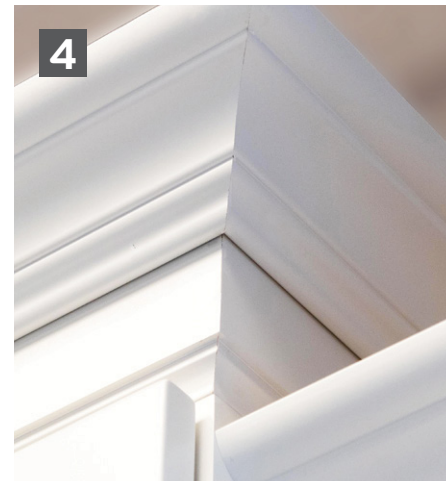
- Partial overlay
- Espresso stained finish
- Slab drawer front
- Mortis and tenon door
- Solid wood stile and rail
- Veneered MDF center panel
- Standard glides and hinges (soft close optional)

Storage & Accessories

We know there's no better feeling than easily finding what you're looking for. That's why our line of storage and accessories was built to keep your kitchen (or any other room) neatly organized and easy for you to customize your cabinets as well.

SPACE SAVERS

Storage and organization are vital for any well functioning kitchen or bathroom. We have the solutions that you're looking for to hide the clutter and get organized.



FINISHING TOUCHES

Your project isn't done until you've added the finishing touches. Turn any kitchen or bathroom into the luxurious space that you've been dreaming about.

Accessories



1 Make hard-to-reach items easier to find with our roll-out trays. These are perfect for tall pantries for canned goods or lower cabinets for pots and pans.

2 Add another level of elegance with mullion doors. Choose either our modern or traditional mullion to suit your style.

3 Finish off the look of your kitchen island with decorative doors. Take a modern or contemporary island and turn it into one with a farmhouse touch.

4 With so many options to choose from, you'll be able to find the molding that fits your personality. For the traditionalist, choose an elegant molding. For a modern look, choose a simplistic molding.

5 Whether you choose a single or double bin, our trash pull-outs are designed with your family in mind. Save some space by hiding your trash and recyclables from guests.

6 No matter which Lazy Susan model you pick, you'll be able to find those hard-to-reach items with ease. Choose between full and pie-cut trays.

7 You can also have your cabinet doors cut for glass. Choosing the right style of glass can set the mood for any space.

8 Our wooden cutlery divider is perfect for organizing a messy drawer. This divider isn't just for silverware. Use it to organize your "junk" drawer as well.

9 Set your kitchen apart from the rest. Use decorative legs to highlight your stunning range or to accent your kitchen island.

10 Whether you use it to store your spices or food items, our base pantry pull-out is the space saver you've been needing.

Decorative Hardware

We believe that a cabinet should be an elegant addition to your home's aesthetic. That's why we offer a wide variety of knobs, pulls and handles. Each one is made with precision, attention to detail, and is designed to fit everything from the smallest drawer to the largest cabinet.

AVAILABLE FINISHES

 Satin Nickel

 Rose Gold

 Matte Black

DIECAST KNOB (1-1/4" Diameter)



CUP PULL (3-3/4" Overall Length / 3" Center to Center)



SPHERICAL KNOB (1-1/4" Diameter)



4" DECO PULL (4-1/4" Overall Length / 3-3/4" Center to Center)



SQUARE KNOB (1-1/4" Width)



6" DECO PULL (5-1/2" Overall Length / 5" Center to Center)



ROUND FLAT TOP KNOB (1-1/4" Diameter)



4" SQUARE EDGE PULL (4-3/4" Overall Length / 3-3/4" Center to Center)



6" SQUARE EDGE PULL (7-1/2" Overall Length / 6-1/4" Center to Center)



2" BAR PULL KNOB (2" Length)



6" BAR PULL (6" Overall Length / 3-3/4" Center to Center)



10" BAR PULL (10" Overall Length / 7" Center to Center)

