



**SPECIFICATION
GUIDE 2021**

Choice Select® &
Choice Essentials®

Looking for help? We're here for you.

SIGNATURECABINETSDIRECT.COM

Our customer-friendly website is available for use by our retail customers as well as our trusted contractors. It contains a wealth of information about our complete line of products for purchase and our complete line of dealer sales support services. Features of our website include:

- Designs and photos demonstrating the multiple ways our products can be used throughout the home
- Consumer information about the uniqueness of our cabinets, the characteristics of wood, frequently asked questions, and the proper maintenance of caring for your cabinets
- Photos and sketches of our door styles by profile and finish
- Accessory options, such as decorative hardware, trash pull outs, and roll out shelving

24 HOURS A DAY

We are proud to re provide 24-hour access to SuiteCommerce, our cloud-based ordering system which allows us to fulfill orders to keep your project moving.

- Enter new orders and track and manage current orders
- Access to product literature, design catalogs, and sales tools
- Download marketing content like images, logos, videos, and much more
- Order samples and displays to showcase Choice products in your design center

LIVE CUSTOMER SUPPORT

While websites are convenient, sometimes you just need to talk to a person. Signature Cabinets Direct Customer Support is here to help. Your consultant can help with:

- Placing an order or answering product questions
- Following up on orders or tracking a delivery
- Addressing billing and invoice questions

What's New?

We've made some changes to our Specification Guide for the 2024 update. We've summarized these changes below to help communicate what was added, removed, or corrected within this update.

ADDED

These items are new and now available:

- Choice Select® Mullion Door Program - pages 18-21
- Choice Select® Farmhouse Sink Base (FSB36) - page 25
- Choice Essentials® Summit ADA Cabinetry - pages 98-101
- Wooden Tray Divider (ACC TRAY DIV) - page 122
- Assembly Ordering - page 138
- Modification Ordering - page 139

REMOVED

No items were discontinued or removed at this time.

CORRECTIONS

These items were corrected and/or amended:

- Choice Select® Double Oven upper door heights
- Choice Select® and Choice Essentials® BSK height is now 36" tall
- Choice Essentials® 30" wide Utility Pantries were a typo in the last update and are not available
- Decorative Hardware had a typo in the finish order code for all Matte Black finish hardware - the designation should be "BK" and not "MB"

GENERAL NOTES

General information regarding this update:

- Roll-Out Trays (ACC ROT) are sold individually and separately from the cabinet
- We are consistently working to improve the quality and accuracy of our Specification Guide - if you see something that needs corrected or clarification, please let us know!



Table of Contents

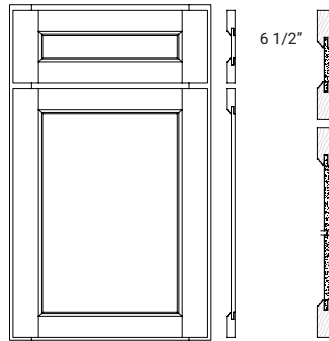
| | |
|----------------------------------|-----|
| Choice Select® | 6 |
| <i>Door Styles</i> | 6 |
| <i>Cabinet Construction</i> | 7 |
| <i>Wall Cabinets</i> | 8 |
| <i>Base Cabinets</i> | 22 |
| <i>Tall Cabinets</i> | 34 |
| <i>Bathroom Vanity Cabinets</i> | 40 |
| <i>Panels & Skins</i> | 44 |
| <i>Molding & Trim</i> | 52 |
| <i>Touch-Up</i> | 68 |
| Choice Essentials® | 72 |
| <i>Door Styles</i> | 72 |
| <i>Cabinet Construction</i> | 73 |
| <i>Wall Cabinets</i> | 74 |
| <i>Base Cabinets</i> | 84 |
| <i>Tall Cabinets</i> | 92 |
| <i>Bathroom Vanity Cabinets</i> | 96 |
| <i>ADA Cabinets</i> | 98 |
| <i>Panels & Skins</i> | 102 |
| <i>Molding & Trim</i> | 108 |
| <i>Touch-Up</i> | 116 |
| Accessories | 120 |
| <i>Storage & Accessories</i> | 120 |
| <i>Glides & Hinges</i> | 124 |
| <i>Decorative Hardware</i> | 128 |
| <i>Samples</i> | 134 |
| Assembly Ordering | 138 |
| Modification Ordering | 139 |
| Marketing | 140 |
| <i>Literature</i> | 140 |
| Cleaning, Care & Maintenance | 144 |
| Warranty Information | 146 |

Choice Select®

DOOR STYLES

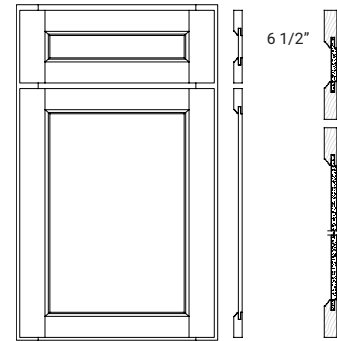
DOOR CONSTRUCTION KEY

-  Indicates Solid Wood
-  Indicates Veneered MDF



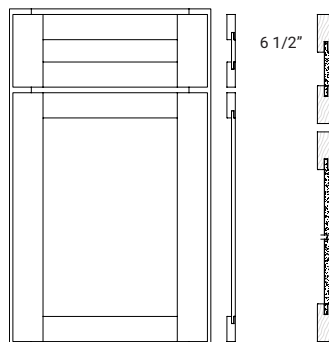
FREMONT

- Order code: FMT
- Full overlay
- White painted finish
- 5-piece drawer front
- Mortis and tenon
- Solid wood stile and rail
- MDF center panel



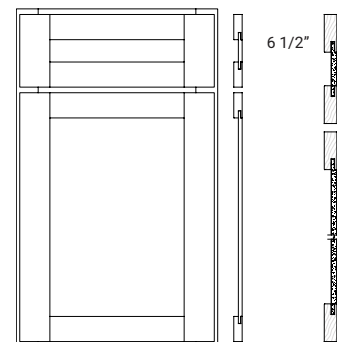
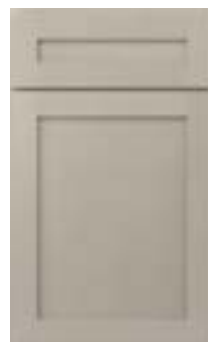
GRAPHITE

- Order code: GRA
- Full overlay
- Gray stained finish
- 5-piece drawer front
- Mortis and tenon
- Solid wood stile and rail
- Veneered MDF center panel



FROST

- Order code: FRO
- Full overlay
- White painted finish
- 5-piece drawer front
- Mortis and tenon
- Solid wood stile and rail
- MDF center panel



STERLING

- Order code: STE
- Full overlay
- Gray painted finish
- 5-piece drawer front
- Mortis and tenon
- Solid wood stile and rail
- MDF center panel

LIFETIME LIMITED WARRANTY:



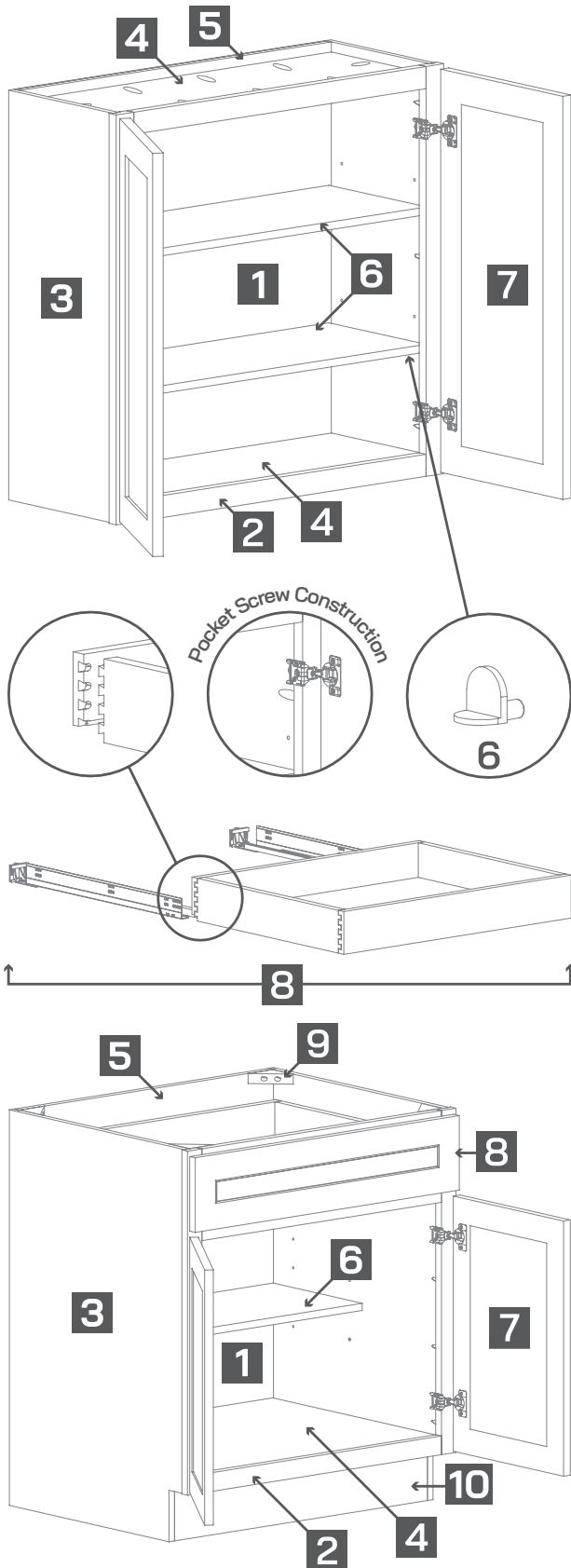
KCMA CERTIFIED:



EPA COMPLIANCE:



Construction



- 1** Natural hardwood interior
- 2** 3/4" solid hardwood face frame
- 3** 1/2" veneered plywood end panels with matching exterior finish
- 4** 1/2" veneered plywood, captured floor and ceiling panels with natural finish
- 5** 5/8" framed plywood back*
- 6** 3/4" veneered plywood half depth, adjustable shelving with metal shelf clips**
- 7** Full overlay solid hardwood stile and rail with veneered or painted MDF center panel and 6-way adjustable, concealed soft-close hinges
- 8** Full overlay 5-piece drawer front with 1/2" finger jointed hardwood dovetailed drawer box, 3/8" veneered plywood drawer bottom, and full extension undermount soft-close drawer glides
- 9** 3/4" solid wood corner braces
- 10** 4-1/2" high and 1/2" thick unfinished veneered plywood toe kick

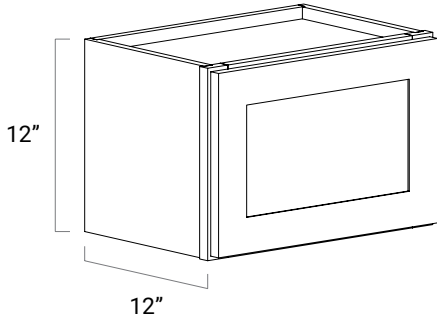
(*) Temporary variance may occur in back panel construction.
 (**) Temporary variance may occur in shelf thickness.

Wall Bridge Single Door 12" High

Available Door Styles: FMT, GRA, FRO, STE

- No shelf

W1812



Wall Bridge Double Door 12" High

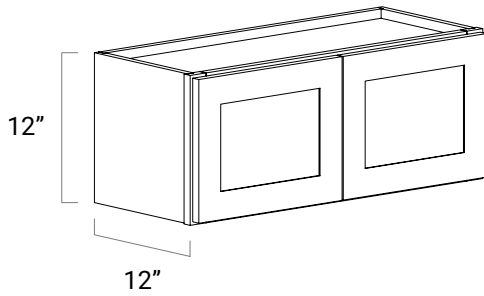
Available Door Styles: FMT, GRA, FRO, STE

- No shelf

W3012

W3312

W3612



Wall Bridge Double Door 15" High

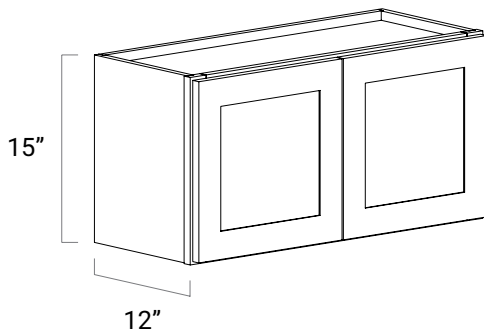
Available Door Styles: FMT, GRA, FRO, STE

- No shelf

W3015

W3315

W3615

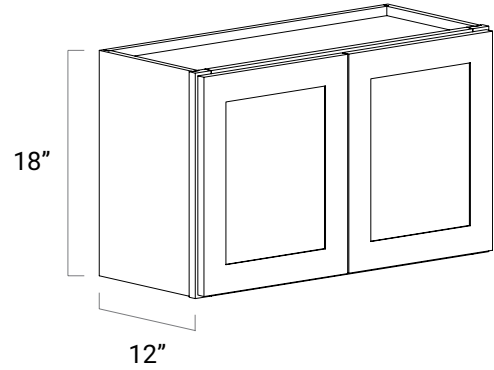


Wall Bridge Double Door 18" High

Available Door Styles: FMT, GRA, FRO, STE

| |
|-------|
| W2418 |
| W3018 |
| W3318 |
| W3618 |

- No shelf

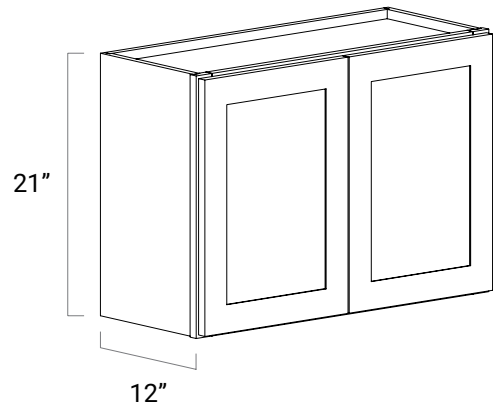


Wall Bridge Double Door 21" High

Available Door Styles: FMT, GRA, FRO, STE

| |
|-------|
| W3021 |
|-------|

- No shelf

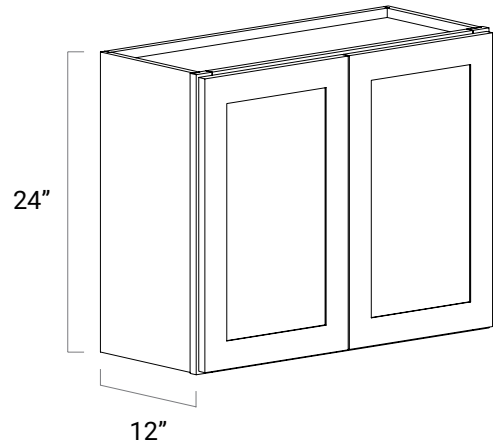


Wall Bridge Double Door 24" High

Available Door Styles: FMT, GRA, FRO, STE

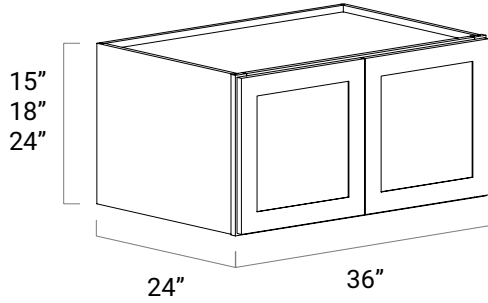
| |
|-------|
| W3024 |
| W3324 |
| W3624 |

- One adjustable shelf



Wall Bridge Refrigerator Double Door 24" Deep

Available Door Styles: FMT, GRA, FRO, STE

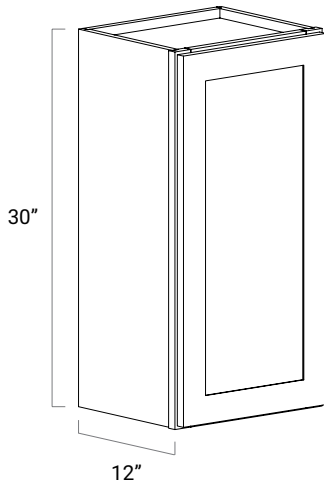


- No shelf
- Intended for installation between a combination of cabinets, refrigerator panels, or two walls for support
- (*) W362424 has one adjustable shelf

| |
|-----------------|
| W361524 |
| W361824 |
| W362424* |

Wall Single Door 30" High

Available Door Styles: FMT, GRA, FRO, STE

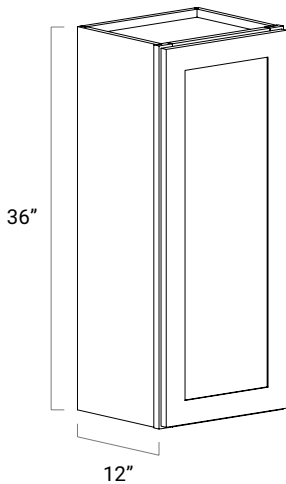


- Two adjustable shelves

| |
|--------------|
| W0930 |
| W1230 |
| W1530 |
| W1830 |
| W2130 |

Wall Single Door 36" High

Available Door Styles: FMT, GRA, FRO, STE



- Two adjustable shelves

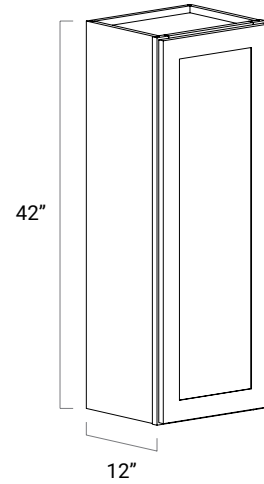
| |
|--------------|
| W0936 |
| W1236 |
| W1536 |
| W1836 |
| W2136 |

Wall Single Door 42" High

Available Door Styles: FMT, GRA, FRO, STE

| |
|-------|
| W0942 |
| W1242 |
| W1542 |
| W1842 |
| W2142 |

- Three adjustable shelves

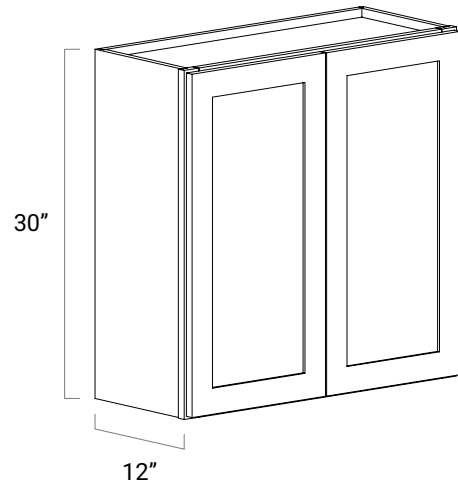


Wall Double Door 30" High

Available Door Styles: FMT, GRA, FRO, STE

| |
|-------|
| W2430 |
| W2730 |
| W3030 |
| W3330 |
| W3630 |

- Two adjustable shelves

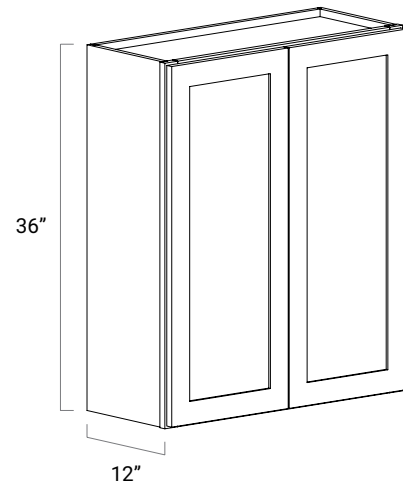


Wall Double Door 36" High

Available Door Styles: FMT, GRA, FRO, STE

| |
|-------|
| W2436 |
| W2736 |
| W3036 |
| W3336 |
| W3636 |

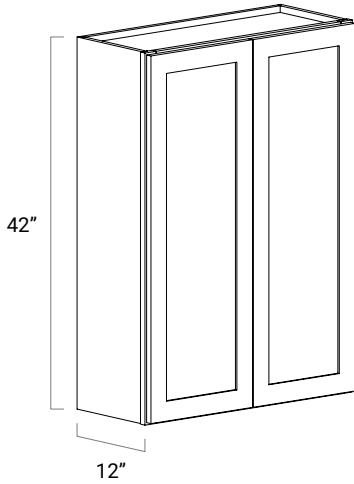
- Two adjustable shelves



Wall Double Door 42" High

Available Door Styles: FMT, GRA, FRO, STE

- Three adjustable shelves

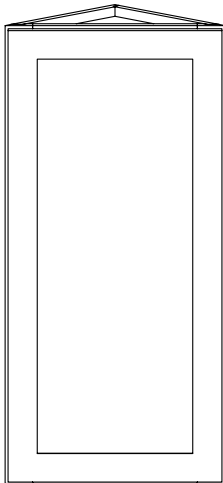


| |
|-------|
| W2442 |
| W2742 |
| W3042 |
| W3342 |
| W3642 |

Angled Triangle Wall

Available Door Styles: FMT, GRA, FRO, STE

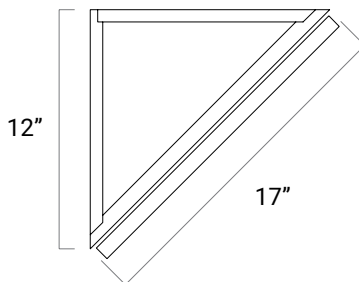
- Pre-assembled
- Two adjustable shelves
- (*) ATW1242 has three adjustable shelves



| |
|----------|
| ATW1230 |
| ATW1236 |
| ATW1242* |

ADDITIONAL VIEWS

TOP VIEW



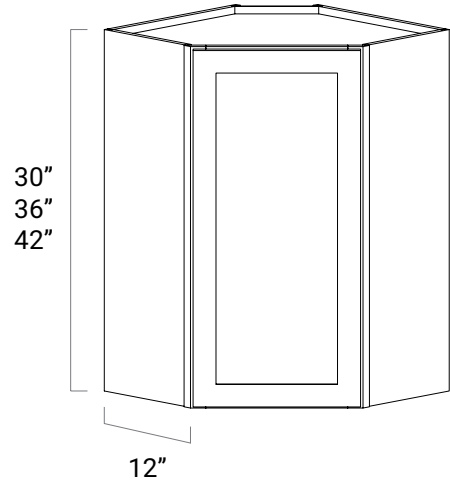
NOTES

Wall Diagonal Corner

Available Door Styles: FMT, GRA, FRO, STE

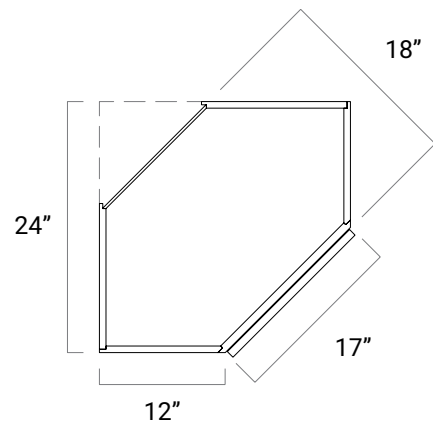
| |
|----------|
| WDC2430 |
| WDC2436 |
| WDC2442* |

- 12" deep, 24" wide
- Two adjustable shelves
- (*) WDC2442 has three adjustable shelves
- To achieve a 27" wide cabinet or to "bump" the cabinet out, 3" of blocking must be added behind the cabinet during cabinet install and skins must be applied in the field to conceal the blocking



ADDITIONAL VIEWS

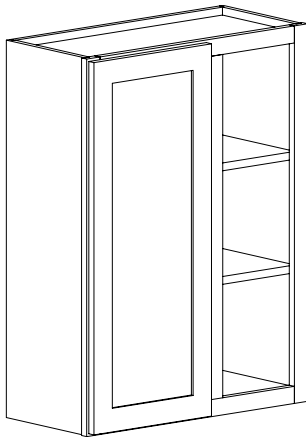
TOP VIEW



NOTES

Wall Blind Corner

Available Door Styles: FMT, GRA, FRO, STE



- 27" wide
- Two adjustable shelves
- Must be pulled 1" from the adjacent wall for a total of 28" wide
- 3" wall filler included
- Cabinet can be flipped for left/right application
- Hinges are located on center stile of the face frame and can be flipped as necessary
- Same size door and opening as W1530, W1536, and W1542
- (*) WBC2842 has three adjustable shelves

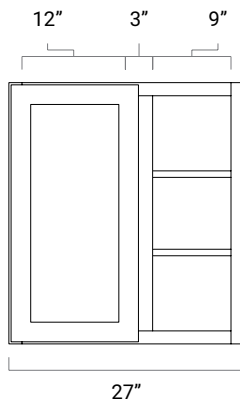
WBC2830

WBC2836

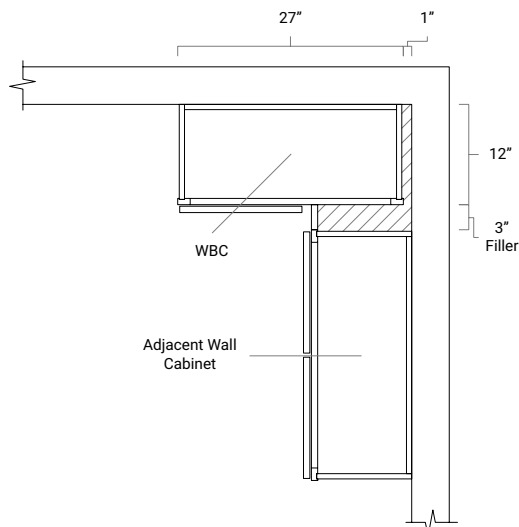
WBC2842*

ADDITIONAL VIEWS

FACE FRAME OPENING DIMENSIONS



INSTALLATION DIAGRAM



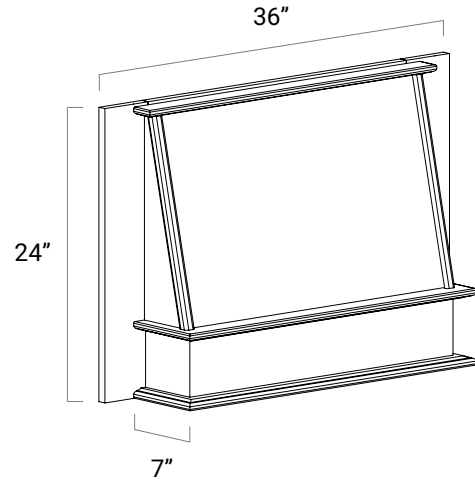
NOTES

Wall Range Hood Front

Available Door Styles: FMT, GRA, FRO, STE

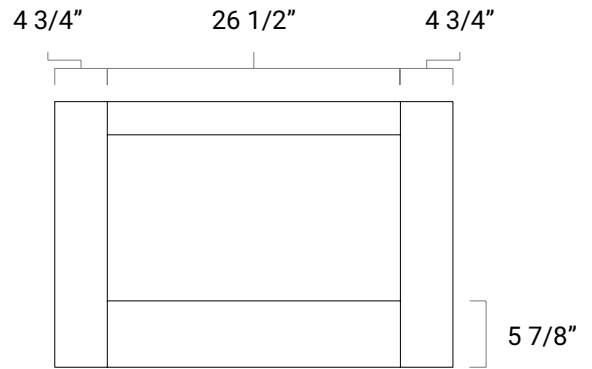
WRHF36-3024

- Must be installed between two cabinets for support
- Before installing WRHF36-3024, the blower should be installed and the depth adjusted using fillers and/or panels to fit the blower
- WRHF36-3024 can be pulled from wall (15", 18", ...) per vent requirements
- Sides can be trimmed down to accommodate a 30" opening
- See NKBA Standard Cooking Surface Clearance for installation requirements

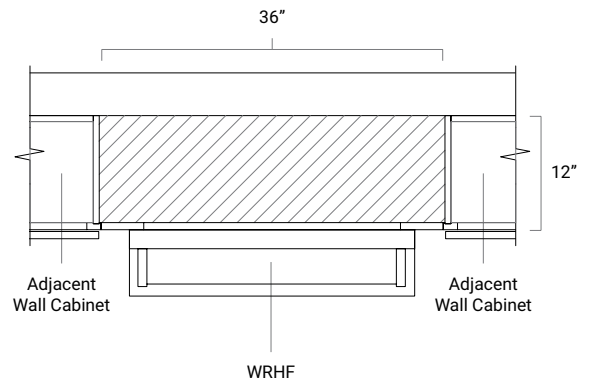


ADDITIONAL VIEWS

BACK VIEW



INSTALLATION DIAGRAM



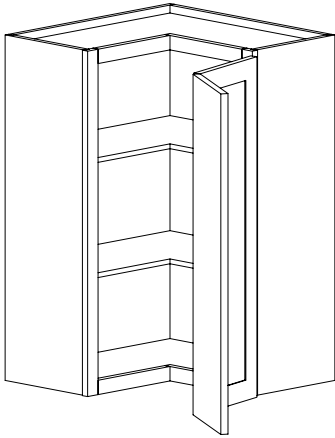
NOTES

Wall Easy Reach

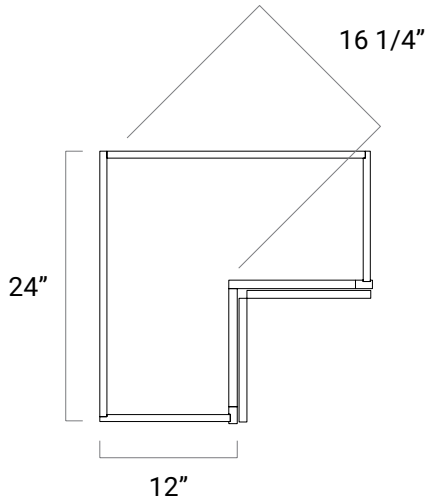
Available Door Styles: FMT, GRA, FRO, STE

- Bi-folding door
- Two adjustable shelves
- Soft close not available

WEZR2430



ADDITIONAL VIEWS TOP VIEW



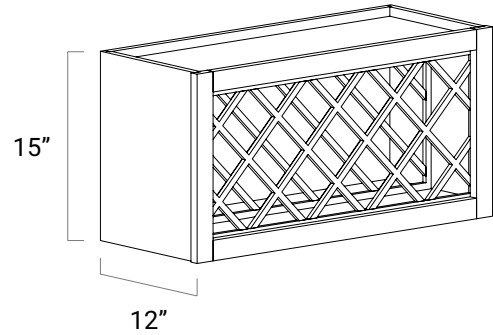
NOTES

Wine Rack

Available Door Styles: FMT, GRA, FRO, STE

WR3015

- Finished interior
- Holds up to thirteen 750ml bottles
- Can be used horizontally or vertically
- Can be used in a wall or base application



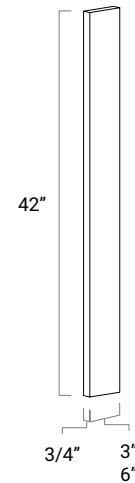
Wall Filler

Available Door Styles: FMT, GRA, FRO, STE

WF342

WF642

- 3/4" thick, solid wood
- Finished front and long sides
- Cut width/height to fit as necessary

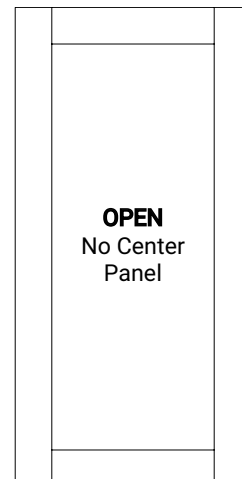


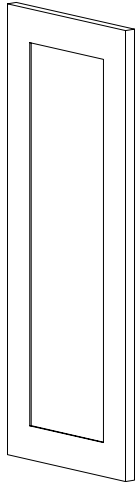
Cut Door for Glass

Available Door Styles: FMT, GRA, FRO, STE

-CG

- Glass not included
- To order a door cut for glass, you would start with the door style order code, followed by the cabinet SKU, and then "-CG" (example: **FMT W1536-CG**)
- Only available for wall and tall cabinetry doors





Wall False Door

Available Door Styles: FMT, GRA, FRO, STE

- False door matches ordered door style
- 3/4" thick, decorative door panel for finishing sides of exposed cabinetry
- Back of the panel is flat and requires a WSK to sit flush on cabinet side

| |
|---------|
| WFD1230 |
| WFD1236 |
| WFD1242 |

ACTUAL DOOR DIMENSIONS

| SKU | WIDTH | HEIGHT | DEPTH |
|---------|---------|---------|-------|
| WFD1230 | 11 1/2" | 29 1/2" | 3/4" |
| WFD1236 | 11 1/2" | 35 1/2" | 3/4" |
| WFD1242 | 11 1/2" | 41 1/2" | 3/4" |



Traditional Mullion Door

Available Door Styles: FMT, GRA, FRO, STE

- Includes door, mullion insert, and installation hardware
- Glass not included
- Mullion doors are sold individually, so you will need to enter a quantity of two for any two-door cabinets
- To order a mullion door, you would start with the door style order code, followed by the mullion SKU, and then the cabinet SKU (example: **FMT TR W1536**)
- Availability varies by cabinet size and mullion style

| |
|----|
| TR |
|----|

Single X Mullion Door

Available Door Styles: FMT, GRA, FRO, STE

1X

- Includes door, mullion insert, and installation hardware
- Glass not included
- Mullion doors are sold individually, so you will need to enter a quantity of two for any two-door cabinets
- To order a mullion door, you would start with the door style order code, followed by the mullion SKU, and then the cabinet SKU (example: **FMT 1X W1536**)
- Availability varies by cabinet size and mullion style



Double X Mullion Door

Available Door Styles: FMT, GRA, FRO, STE

2X

- Includes door, mullion insert, and installation hardware
- Glass not included
- Mullion doors are sold individually, so you will need to enter a quantity of two for any two-door cabinets
- To order a mullion door, you would start with the door style order code, followed by the mullion SKU, and then the cabinet SKU (example: **FMT 2X W1536**)
- Availability varies by cabinet size and mullion style



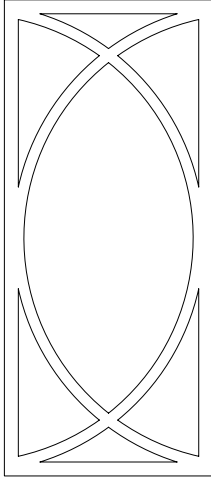
Triple X Mullion Door

Available Door Styles: FMT, GRA, FRO, STE

3X

- Includes door, mullion insert, and installation hardware
- Glass not included
- Mullion doors are sold individually, so you will need to enter a quantity of two for any two-door cabinets
- To order a mullion door, you would start with the door style order code, followed by the mullion SKU, and then the cabinet SKU (example: **FMT 3X W1536**)
- Availability varies by cabinet size and mullion style



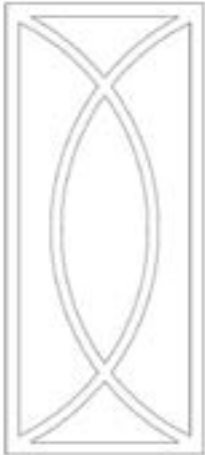


Double C Mullion Door

Available Door Styles: FMT, GRA, FRO, STE

- Includes door, mullion insert, and installation hardware
- Glass not included
- Mullion doors are sold individually, so you will need to enter a quantity of two for any two-door cabinets
- To order a mullion door, you would start with the door style order code, followed by the mullion SKU, and then the cabinet SKU (example: **FMT 2C W1536**)
- Availability varies by cabinet size and mullion style

2C



Crossing C Mullion Door

Available Door Styles: FMT, GRA, FRO, STE

- Includes door, mullion insert, and installation hardware
- Glass not included
- Mullion doors are sold individually, so you will need to enter a quantity of two for any two-door cabinets
- To order a mullion door, you would start with the door style order code, followed by the mullion SKU, and then the cabinet SKU (example: **FMT CC W1536**)
- Availability varies by cabinet size and mullion style

CC

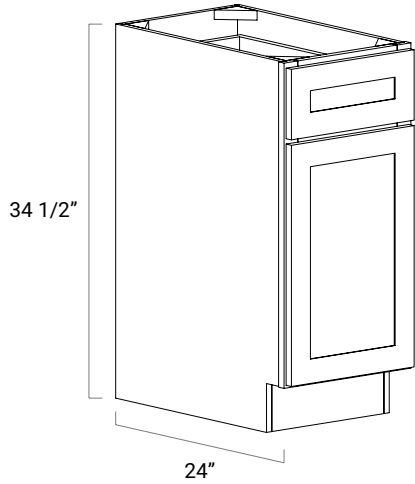


Solid Panel Mullion Door

Available Door Styles: FMT, GRA, FRO, STE

- Includes door, mullion insert, and installation hardware
- Mullion doors are sold individually, so you will need to enter a quantity of two for any two-door cabinets
- To order a mullion door, you would start with the door style order code, followed by the mullion SKU, and then the cabinet SKU (example: **FMT SP W1536**)
- Availability varies by cabinet size and mullion style

SP

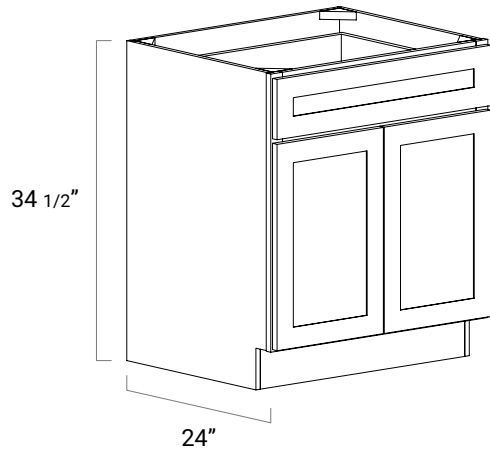


Base Single Door

Available Door Styles: FMT, GRA, FRO, STE

- One adjustable shelf

| |
|-----|
| B09 |
| B12 |
| B15 |
| B18 |
| B21 |

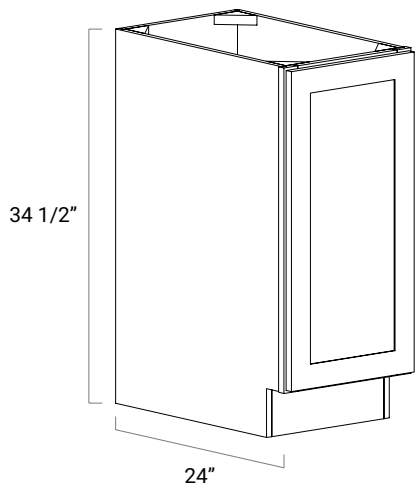


Base Double Door

Available Door Styles: FMT, GRA, FRO, STE

- One adjustable shelf

| |
|-----|
| B24 |
| B27 |
| B30 |
| B33 |
| B36 |



Base Full Height

Available Door Styles: FMT, GRA, FRO, STE

- One adjustable shelf

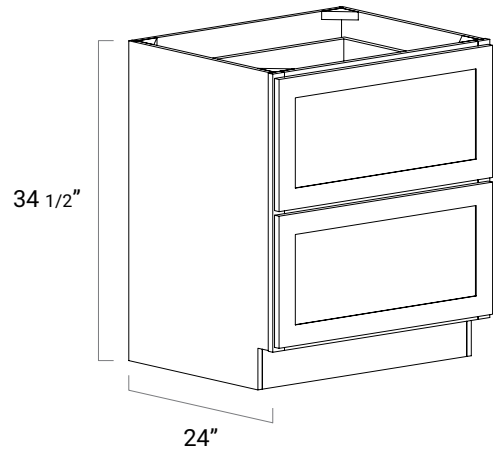
| |
|-------|
| BFH09 |
| BFH12 |
| BFH15 |
| BFH18 |
| BFH21 |

Two Drawer Base

Available Door Styles: FMT, GRA, FRO, STE

| |
|-------|
| 2DB30 |
| 2DB36 |

- Two deep drawers
- Heavy load-bearing, full extension glides

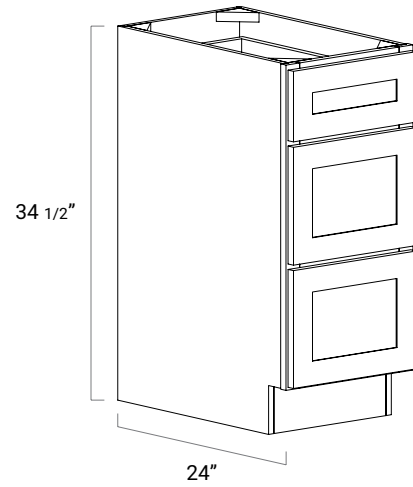


Three Drawer Base

Available Door Styles: FMT, GRA, FRO, STE

| |
|-------|
| 3DB15 |
| 3DB18 |
| 3DB21 |
| 3DB24 |
| 3DB27 |
| 3DB30 |
| 3DB33 |
| 3DB36 |

- Two deep drawers
- Top drawer aligns with standard base cabinetry

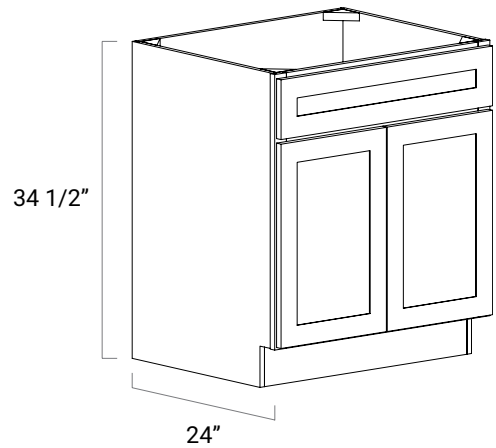


Sink Base

Available Door Styles: FMT, GRA, FRO, STE

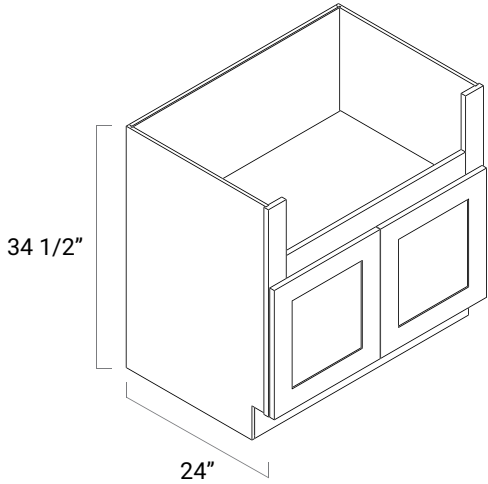
| |
|------|
| SB30 |
| SB33 |
| SB36 |

- False drawer front



Farmhouse Sink Base

Available Door Styles: FMT, GRA, FRO, STE



- 36" wide
- Accommodates most 30-36" wide farmhouse style sinks
- Face frame can be trimmed in the field per sink specifications
- 30" wide opening that can be cut to accommodate a 36" wide opening
- 8" high opening that can be cut to accommodate a 11" high opening
- Same size doors as W3618

FSB36

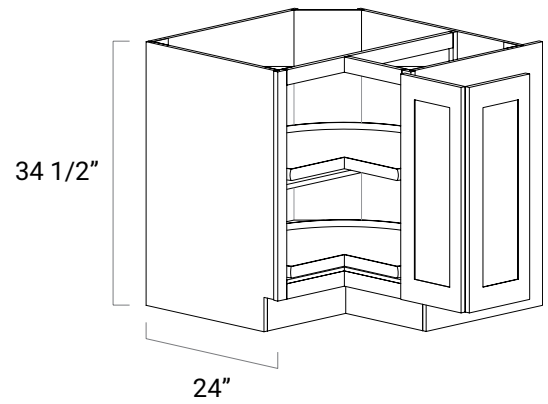
NOTES

Lazy Susan

Available Door Styles: FMT, GRA, FRO, STE

| |
|---------|
| LS33-L |
| LS33-R |
| LS36-L |
| LS36-R* |

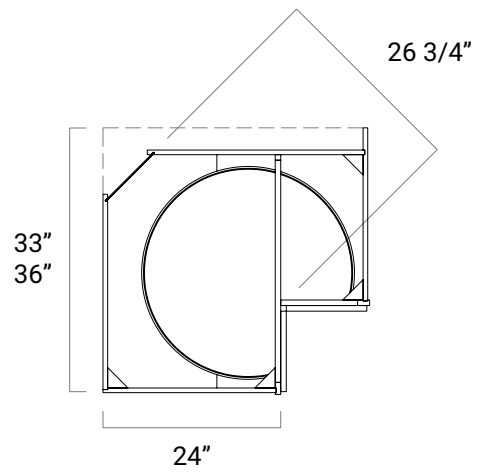
- Full height, bi-folding door
- Two rotating pie-cut trays
- Trays are made of wood veneered plywood with a solid wood perimeter lip
- Undermount rotating bearings allow for independent rotation and full access to trays
- Soft close not available
- Magnetic door catch attached
- (*) LS36-R shown



NOTES

ADDITIONAL VIEWS

TOP VIEW

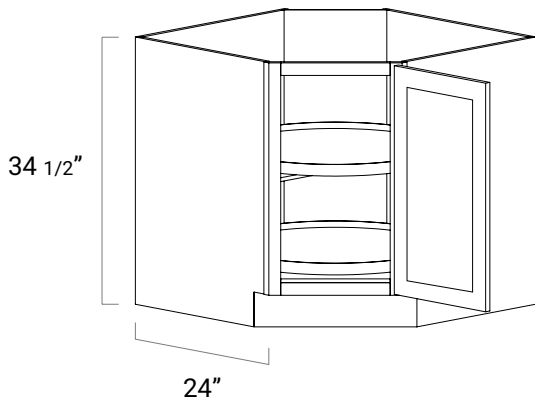


Lazy Susan Diagonal Door

Available Door Styles: FMT, GRA, FRO, STE

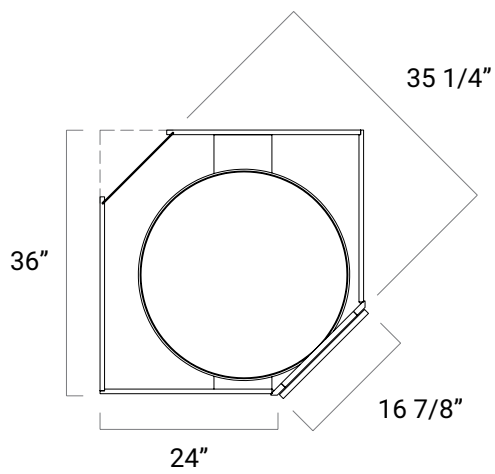
- Full height door
- Two rotating full circle trays
- Trays are made of wood veneered plywood with a solid wood perimeter lip
- Undermount rotating bearing allows for independent rotation and full access to trays

LS36DD



ADDITIONAL VIEWS

TOP VIEW



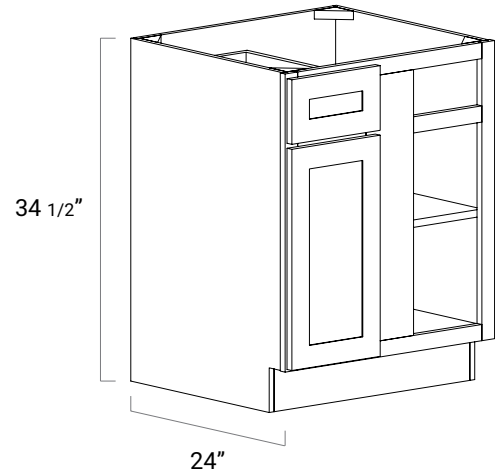
NOTES

Base Blind Corner

Available Door Styles: FMT, GRA, FRO, STE

BBC39

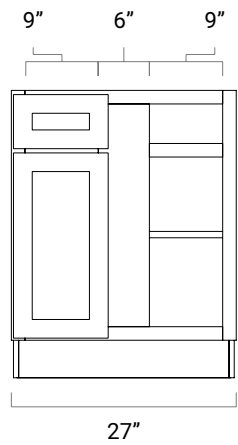
- One adjustable shelf
- Cabinet is 27" wide and must be pulled a minimum of 12" from adjacent wall
- Door and drawer can be flipped for left or right application during assembly
- 3" filler included
- Hinges are located on the center stile of the face frame and can be flipped as necessary
- Same size door, drawer, and door opening as B12



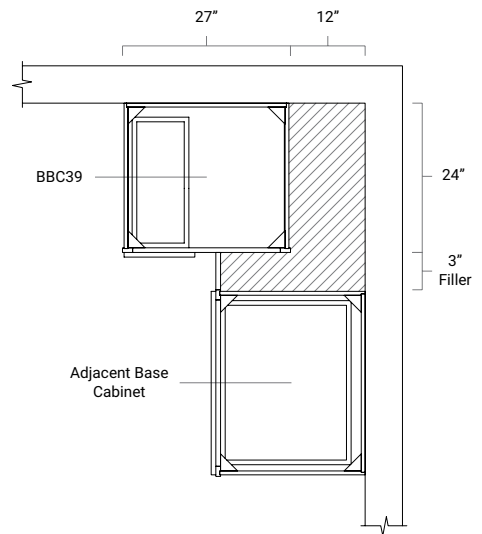
NOTES

ADDITIONAL VIEWS

FACE FRAME OPENING DIMENSIONS



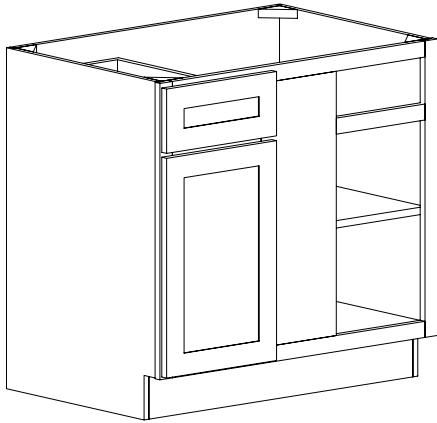
INSTALLATION DIAGRAM (BBC39 SHOWN)



Base Blind Corner

Available Door Styles: FMT, GRA, FRO, STE

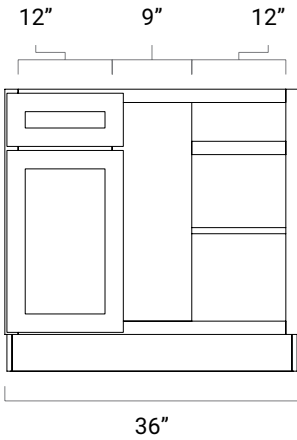
BBC43-46



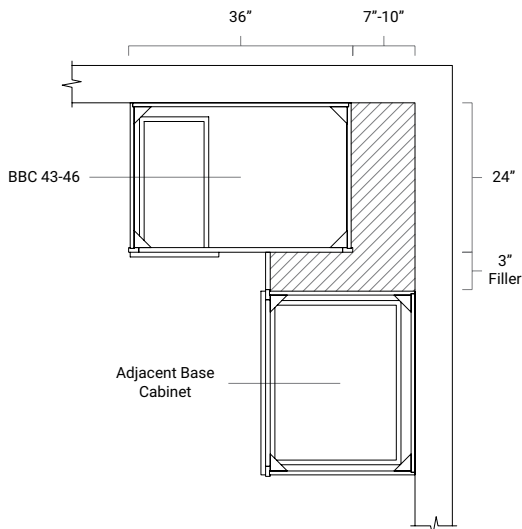
- One adjustable shelf
- Cabinet is 36" wide and must be pulled a minimum of 7" or a maximum of 10" from adjacent wall
- Door and drawer can be flipped for left or right application during assembly
- 3" filler included
- Hinges are located on the center stile of the face frame and can be flipped as necessary
- Same size door, drawer, and opening as B15

ADDITIONAL VIEWS

FACE FRAME OPENING DIMENSIONS



INSTALLATION DIAGRAM



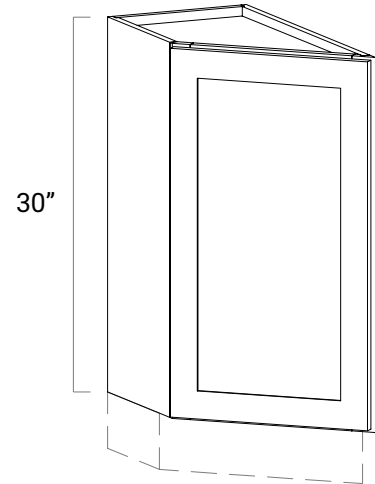
NOTES

Angled Full Height Base

Available Door Styles: FMT, GRA, FRO, STE

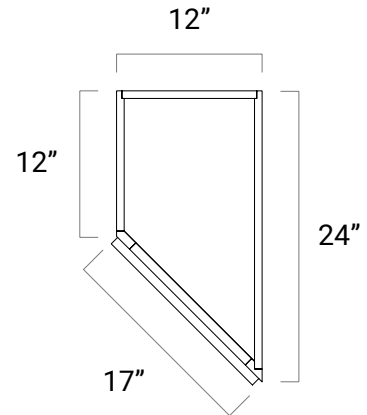
AFHB12

- One adjustable shelf
- Full height door
- Hinged on short side
- Toe kick is not included so cabinet can be used right or left hand by inverting the cabinet
- Installer must build toe kick support and conceal with TK8



ADDITIONAL VIEWS

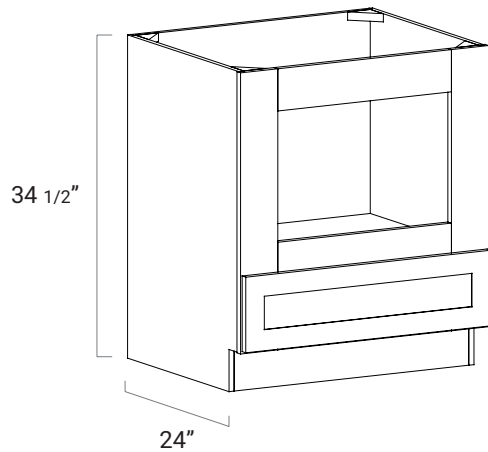
TOP VIEW



NOTES

Microwave Base

Available Door Styles: FMT, GRA, FRO, STE

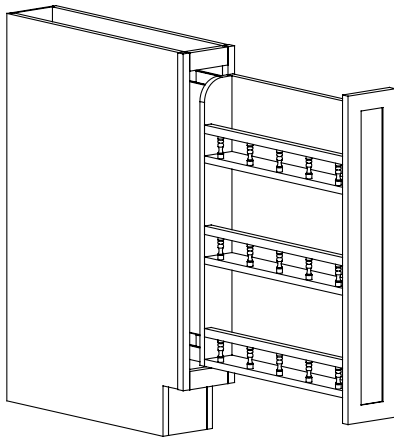


- 30" wide
- 8" high drawer
- Finished interior
- 14" high opening that can be cut to accommodate a 18" high opening*
- 21" wide opening that can be cut to accommodate a 27" wide opening*
- (*) 4 1/2" pocket frame stiles can be modified as necessary

MWB30

Base Pantry Pull Out

Available Door Styles: FMT, GRA, FRO, STE



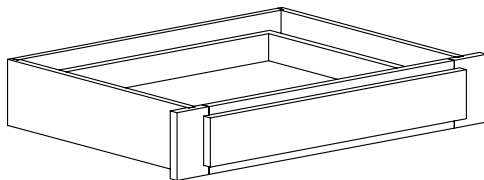
- 6" wide
- 2 3/8" shelf width
- 20 5/8" shelf depth
- Pre-assembled
- 5-piece front
- Full extension glides without soft close
- Frameless box construction (no face frame)
- Hardwood interior
- Requires decorative hardware to pull open
- Can hold a variety of spice container sizes
- (*) BPP6-R shown

BPP6-L

BPP6-R*

Knee Drawer

Available Door Styles: FMT, GRA, FRO, STE



- 30" wide
- 5" high face frame
- 21" deep
- Extended stiles allow for face frame to be cut down to 27" wide
- Side-mount, epoxy glides

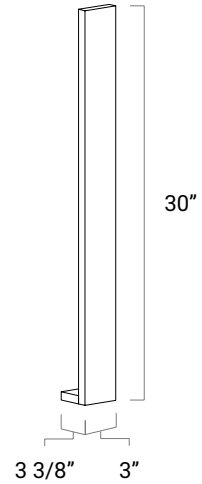
KD30

Base Filler

Available Door Styles: FMT, GRA, FRO, STE

BF3

- 3/4" thick, solid wood
- Finished front, back, and sides
- Cut width/height to fit as necessary

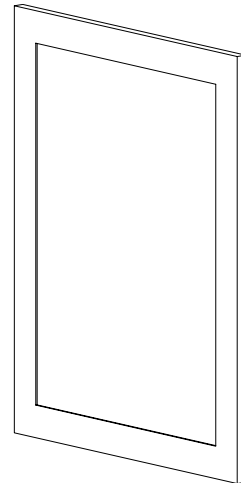


Base False Door

Available Door Styles: FMT, GRA, FRO, STE

BFD

- False door matches ordered door style
- 3/4" thick, decorative door panel for finishing sides of exposed cabinetry
- Back of the panel is flat and requires a BSK to sit flush on cabinet side



ACTUAL DOOR DIMENSIONS

| SKU | WIDTH | HEIGHT | DEPTH |
|-----|---------|---------|-------|
| BFD | 23 1/2" | 29 1/2" | 3/4" |

Utility Pantry Single Door

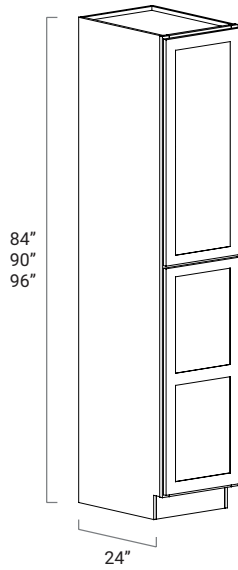
Available Door Styles: FMT, GRA, FRO, STE

- Hinges and doors are not pre-mounted so that doors can be flipped at assembly or in the field as necessary
- Lower door has center rail, creating a two-door panel door design
- Accepts 18" rollout trays (ACC ROT18 ordered separately)
- Magnetic door catch attached

UP1884L/R

UP1890L/R

UP1896L/R



ADDITIONAL INFORMATION

| SKU | UPPER DOOR HEIGHT | # OF UPPER SHELVES | # OF LOWER SHELVES |
|-----------|-------------------|--------------------|--------------------|
| UP1884L/R | 30" | ONE | TWO |
| UP1890L/R | 36" | ONE | TWO |
| UP1896L/R | 42" | TWO | TWO |

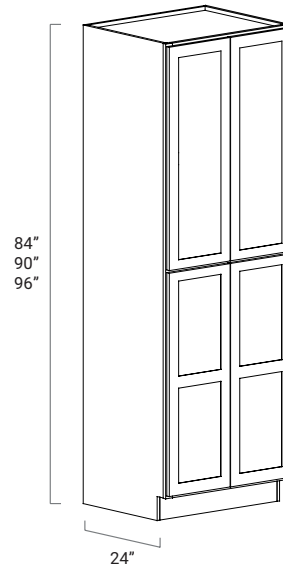
NOTES

Utility Pantry Double Door

Available Door Styles: FMT, GRA, FRO, STE

| |
|--------|
| UP2484 |
| UP2490 |
| UP2496 |
| UP3084 |
| UP3090 |
| UP3096 |

- Lower door has center rail, creating a two-door panel door design
- 24" wide pantries accept 24" rollout trays (ACC ROT24 ordered separately)
- 30" wide pantries accept 30" rollout trays (ACC ROT30 ordered separately)
- Magnetic door catch attached



ADDITIONAL INFORMATION

| SKU | UPPER DOOR HEIGHT | # OF UPPER SHELVES | # OF LOWER SHELVES |
|--------|-------------------|--------------------|--------------------|
| UP2484 | 30" | ONE | TWO |
| UP2490 | 36" | ONE | TWO |
| UP2496 | 42" | TWO | TWO |
| UP3084 | 30" | ONE | TWO |
| UP3090 | 36" | ONE | TWO |
| UP3096 | 42" | TWO | TWO |

NOTES

Double Oven Cabinet

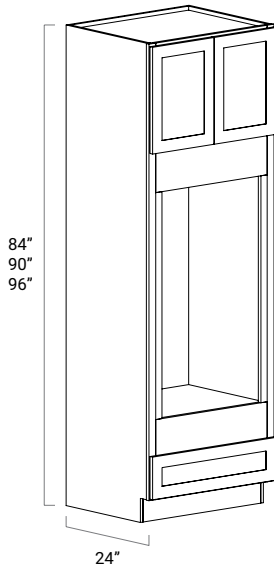
Available Door Styles: FMT, GRA, FRO, STE

- No shelf in top section
- One drawer in lower section

OVD3384

OVD3390

OVD3396



FRAME OPENING (MINIMUM) DIMENSIONS

| SKU | WIDTH | HEIGHT | DEPTH |
|----------------|-------|---------|---------|
| OVD3384 | 25" | 41 1/4" | 23 3/8" |
| OVD3390 | 25" | 41 1/4" | 23 3/8" |
| OVD3396 | 25" | 41 1/4" | 23 3/8" |

INTERIOR OPENING (MAXIMUM) DIMENSIONS

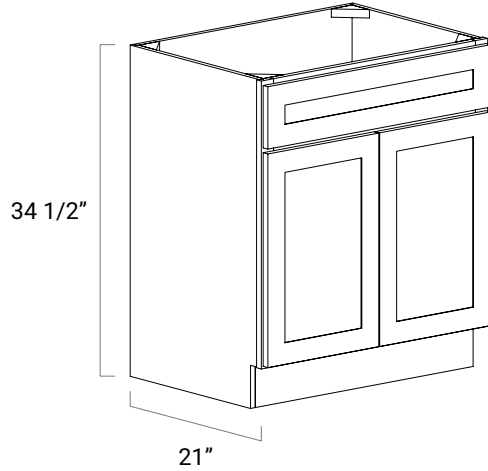
| SKU | WIDTH | HEIGHT | DEPTH |
|----------------|---------|---------|---------|
| OVD3384 | 31 1/4" | 54 1/4" | 22 5/8" |
| OVD3390 | 31 1/4" | 54 1/4" | 22 5/8" |
| OVD3396 | 31 1/4" | 54 1/4" | 22 5/8" |

ADDITIONAL INFORMATION

| SKU | UPPER DOOR HEIGHT |
|----------------|-------------------|
| OVD3384 | 12" |
| OVD3390 | 18" |
| OVD3396 | 24" |

Vanity Sink Base

Available Door Styles: FMT, GRA, FRO, STE



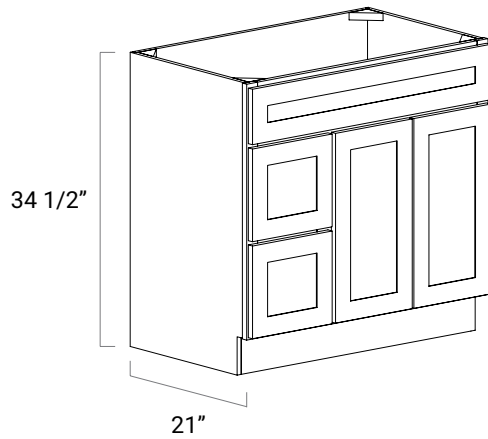
- No shelf
- For single bowl installation only
- Two doors
- Top drawer is a false door front
- Finished toe kick included (made to width of cabinet)

VSB243421

VSB303421

Vanity Combo Two Drawer / Two Door

Available Door Styles: FMT, GRA, FRO, STE



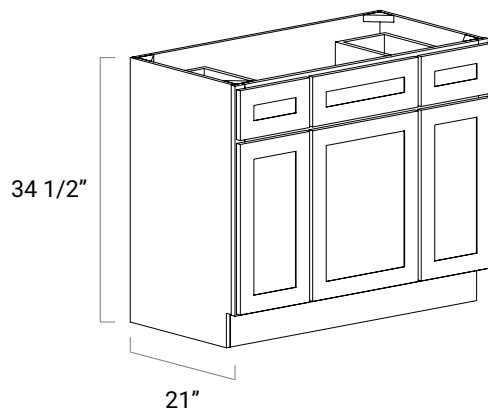
- No shelf
- For single bowl installation only
- Drawers remain a constant 12" wide
- Top drawer is a false drawer front
- Finished toe kick included (made to width of cabinet)
- V36341L shown

V363421L*

V363421R

Vanity Combo Two Drawer / Three Door

Available Door Styles: FMT, GRA, FRO, STE



- No shelf
- For single bowl installation only
- Drawers remain a constant 12" wide
- Top middle drawer is a false drawer front
- Finished toe kick included (made to width of cabinet)

V423421

Vanity Combo Six Drawer / Two Door

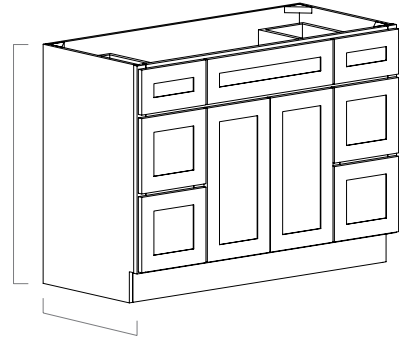
Available Door Styles: FMT, GRA, FRO, STE

V483421

V603421S

- No shelf
- For single bowl installation only
- Drawers remain a constant 12" wide
- Top middle drawer is a false drawer front
- Finished toe kick included (made to width of cabinet)

34 1/2"



21"

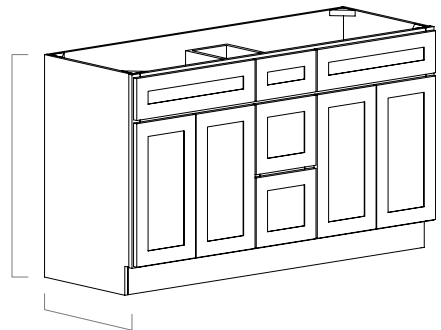
Vanity Combo Three Drawer / Four Door

Available Door Styles: FMT, GRA, FRO, STE

V603421D

- No shelf
- For double bowl installation only
- Drawers remain a constant 12" wide
- Two outside top drawers are false drawer fronts
- Finished toe kick included (made to width of cabinet)

34 1/2"



21"

Three Drawer Vanity Drawer Base

Available Door Styles: FMT, GRA, FRO, STE

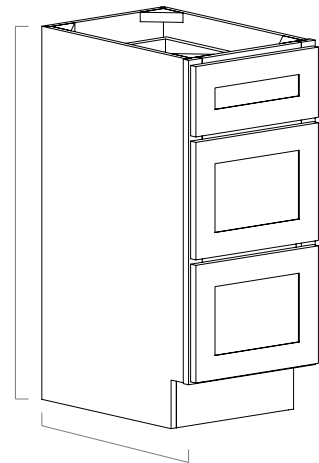
3VDB123421

3VDB153421

3VDB183421

- Top drawer aligns with standard base cabinetry
- Two deep drawers
- Finished toe kick included (made to width of cabinet)

34 1/2"



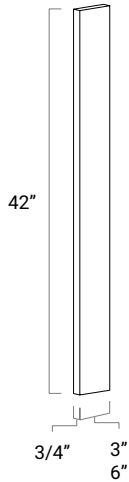
21"

Bathroom Vanity Filler

Available Door Styles: FMT, GRA, FRO, STE

- 3/4" thick, solid wood
- Finished front and sides
- Cut width/height to fit as necessary

| |
|--------------|
| WF342 |
| WF642 |



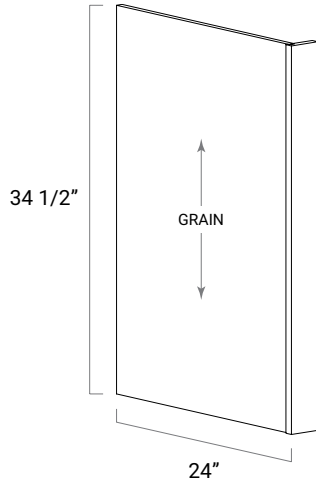
NOTES

Dishwasher Panel

Available Door Styles: FMT, GRA, FRO, STE

- Intended for use next to a dishwasher
- 3/4" thick, veneered plywood panel, finished on outside
- Panel bored for assembly along one unfinished side
- 3" wide, 3/4" thick, solid wood return filler, finished on front and sides

DWP



ADDITIONAL VIEWS

TOP VIEW



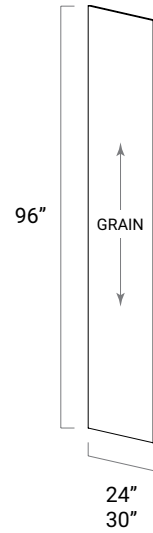
NOTES

Refrigerator Panel

Available Door Styles: FMT, GRA, FRO, STE

| |
|--------|
| RP2496 |
| RP3096 |

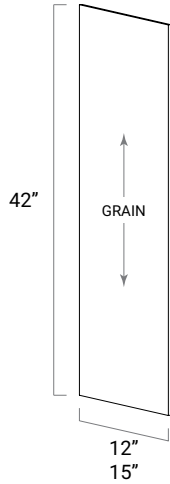
- Intended for use next to or flanking a refrigerator to conceal sides and support wall cabinetry above the appliance
- 3/4" thick, veneered plywood panel, finished on both sides
- Panel bored for assembly along one side
- 1-1/2" wide, 3/4" thick, solid wood return filler, finished on front and sides



ADDITIONAL VIEWS



NOTES



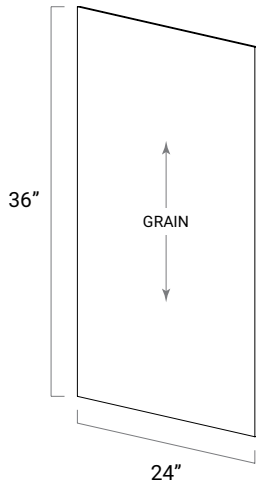
Wall Skin

Available Door Styles: FMT, GRA, FRO, STE

- 1/4" thick
- One finished side
- Intended for skinning sides of wall cabinetry
- Cut width and height to fit
- Used to make sure side of cabinet is flush with frame
- For stained finish, construction is either veneered plywood or MDF core
- For painted finish, construction is MDF core

WSK1242

WSK1542

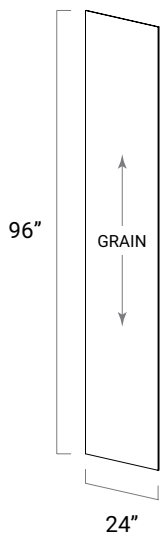


Base Skin

Available Door Styles: FMT, GRA, FRO, STE

- 1/4" thick
- One finished side
- Intended for skinning sides of base cabinetry
- Cut width and height to fit
- Notch for toe kick in field as necessary
- Used to make sure side of cabinet is flush with frame
- For stained finish, construction is either veneered plywood or MDF core
- For painted finish, construction is MDF core

BSK



Tall Skin

Available Door Styles: FMT, GRA, FRO, STE

- 1/4" thick
- One finished side
- Intended for skinning sides of tall cabinetry
- Cut width and height to fit
- Notch for toe kick in field as necessary
- Used to make sure side of cabinet is flush with frame
- For stained finish, construction is either veneered plywood or MDF core
- For painted finish, construction is MDF core

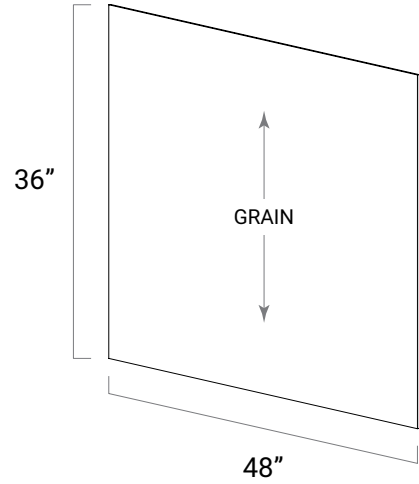
TSK2496

Back Skin

Available Door Styles: FMT, GRA, FRO, STE

BS4836

- 1/4" thick
- One finished side
- Intended for skinning exposed backs of peninsulas, islands, and other design applications

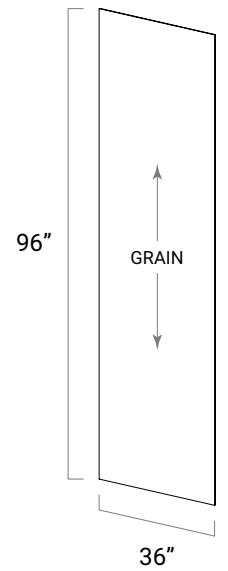


Back Skin

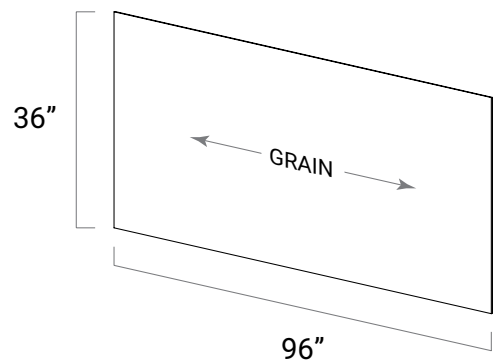
Available Door Styles: FMT, GRA, FRO, STE

BS9636

- 1/4" thick
- One finished side
- Intended for skinning exposed backs of peninsulas, islands, and other design applications
- Grain runs parallel with 96" sides



ADDITIONAL VIEWS

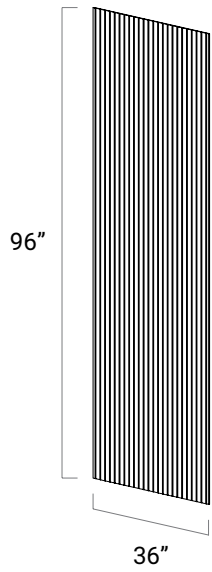


Tall Skin Beadboard

Available Door Styles: FMT, FRO

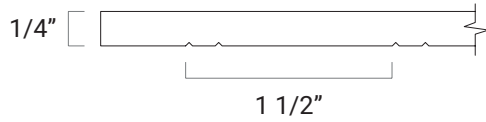
- 1/4" thick
- One finished side
- Intended for skinning exposed backs of peninsulas, islands, and other design applications
- Grain runs parallel with 96" sides

TSKBB3696



ADDITIONAL VIEWS

TOP VIEW



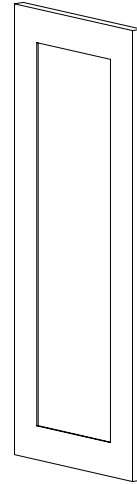
NOTES

Wall False Door

Available Door Styles: FMT, GRA, FRO, STE

| |
|----------------|
| WFD1230 |
| WFD1236 |
| WFD1242 |

- False door matches ordered door style
- 3/4" thick, decorative door panel for finishing sides of exposed cabinetry
- Back of the panel is flat and requires a WSK to sit flush on cabinet side



ACTUAL DOOR DIMENSIONS

| SKU | WIDTH | HEIGHT | DEPTH |
|----------------|---------|---------|-------|
| WFD1230 | 11 1/2" | 29 1/2" | 3/4" |
| WFD1236 | 11 1/2" | 35 1/2" | 3/4" |
| WFD1242 | 11 1/2" | 41 1/2" | 3/4" |

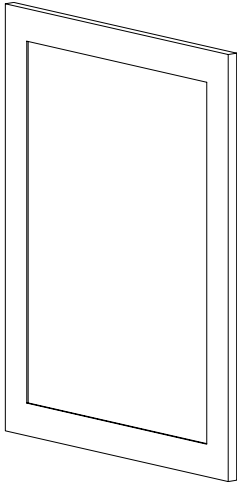
NOTES

Base False Door

Available Door Styles: FMT, GRA, FRO, STE

- False door matches ordered door style
- 3/4" thick, decorative door panel for finishing sides of exposed cabinetry
- Back of the panel is flat and requires a BSK to sit flush on cabinet side

BFD



ACTUAL DOOR DIMENSIONS

| SKU | WIDTH | HEIGHT | DEPTH |
|-----|---------|---------|-------|
| BFD | 23 1/2" | 29 1/2" | 3/4" |

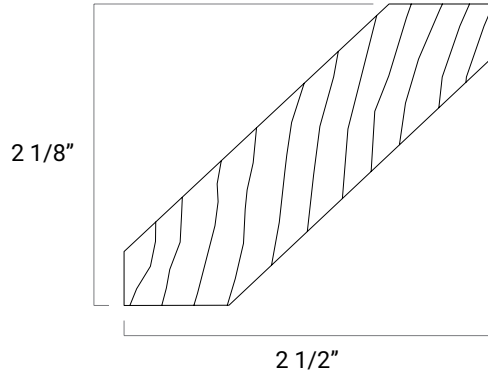
NOTES

Angled Crown Molding

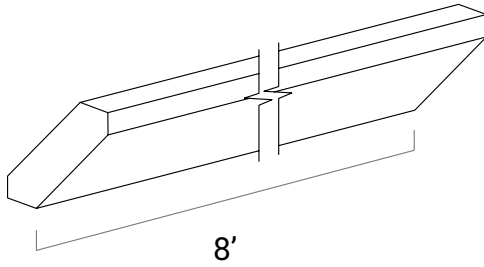
Available Door Styles: FMT, GRA, FRO, STE

- Solid wood
- Molding comes in a single 8' piece

ACM8



ADDITIONAL VIEWS



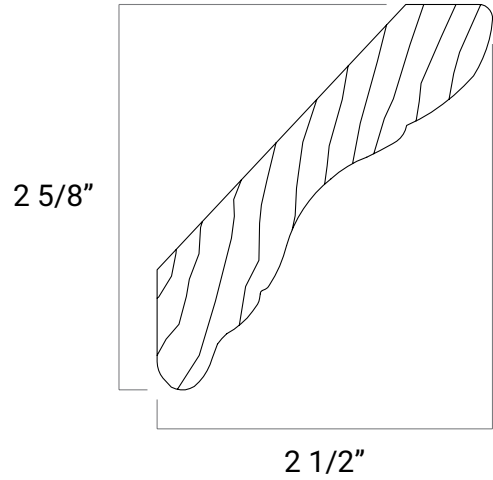
NOTES

Crown Molding

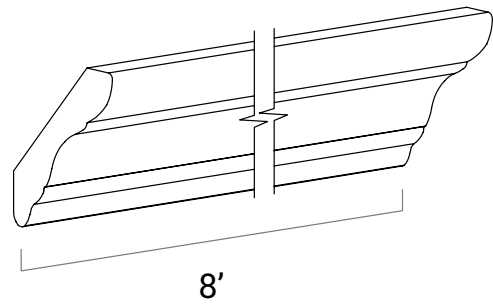
Available Door Styles: FMT, GRA, FRO, STE

CM8

- Solid wood
- Molding comes in a single 8' piece



ADDITIONAL VIEWS



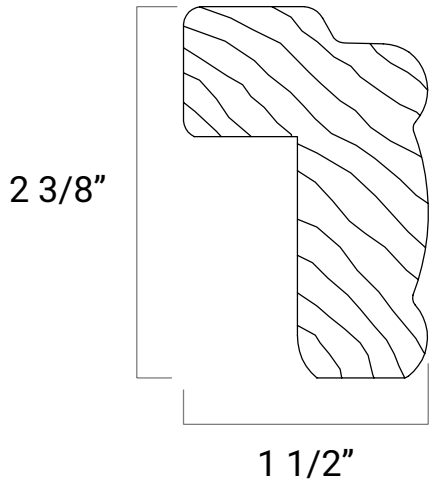
NOTES

Traditional Light Rail

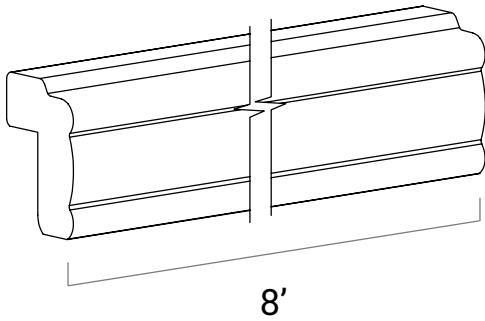
Available Door Styles: FMT, GRA, FRO, STE

- Solid wood
- Molding comes in a single 8' piece
- Light rail is intended to be applied to the bottom of a wall cabinet

TLR8



ADDITIONAL VIEWS



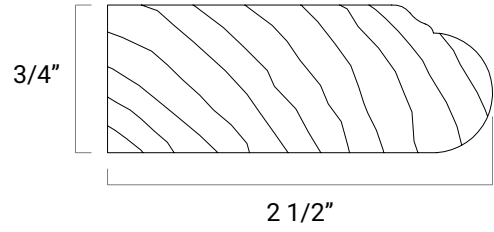
NOTES

Bull Nose Light Rail

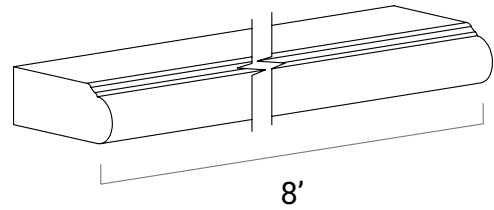
Available Door Styles: FMT, GRA, FRO, STE

BLR8

- Solid wood
- Molding comes in a single 8' piece
- Light rail is intended to be applied to the bottom of a wall cabinet



ADDITIONAL VIEWS



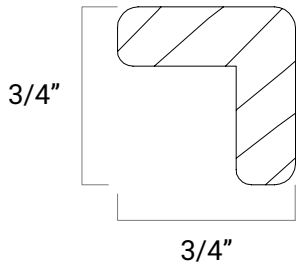
NOTES

Outside Corner Molding

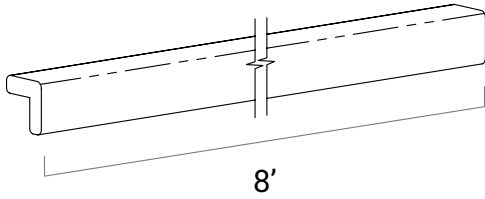
Available Door Styles: FMT, GRA, FRO, STE

- Solid wood
- Molding comes in a single 8' piece

OC8



ADDITIONAL VIEWS



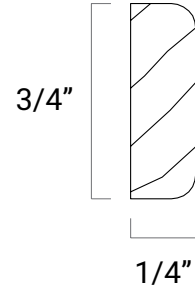
NOTES

Batten Molding

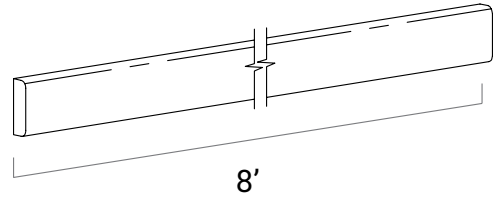
Available Door Styles: FMT, GRA, FRO, STE

BM8

- Solid wood
- Molding comes in a single 8' piece



ADDITIONAL VIEWS



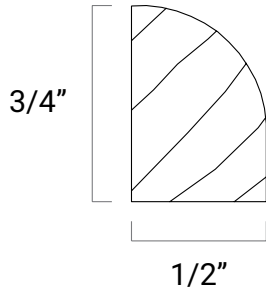
NOTES

Shoe Molding

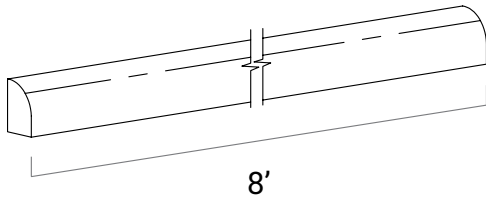
Available Door Styles: FMT, GRA, FRO, STE

- Solid wood
- Molding comes in a single 8' piece

SHM8



ADDITIONAL VIEWS



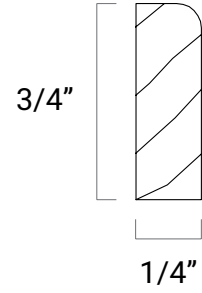
NOTES

Scribe Molding

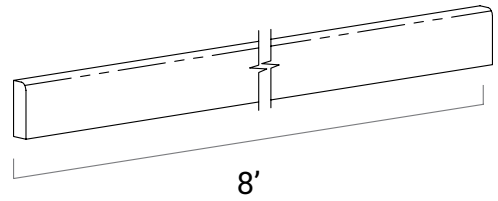
Available Door Styles: FMT, GRA, FRO, STE

SCM8

- Solid wood
- Molding comes in a single 8' piece



ADDITIONAL VIEWS



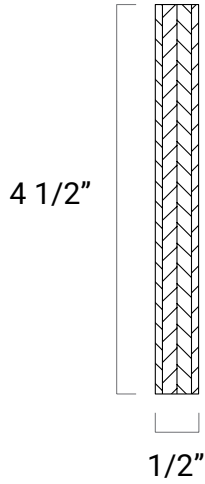
NOTES

Toe Kick

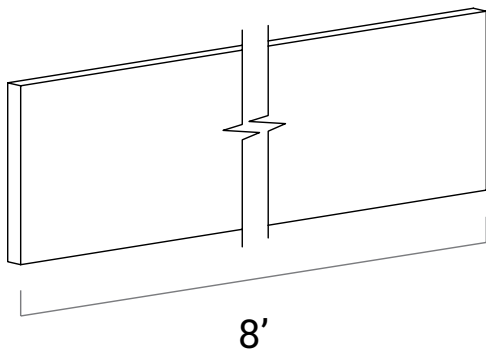
Available Door Styles: FMT, GRA, FRO, STE

- 1/2" thick veneered plywood
- Molding comes in a single 8' piece

TK8



ADDITIONAL VIEWS



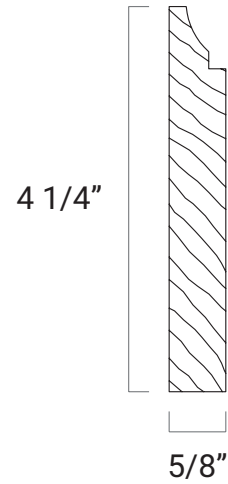
NOTES

Universal Scoop Trim

Available Door Styles: FMT, GRA, FRO, STE

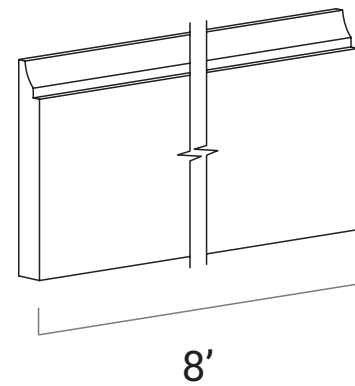
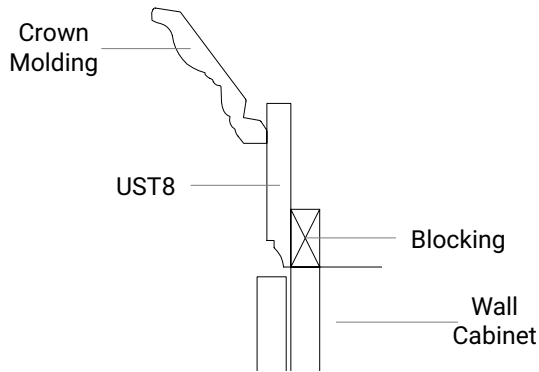
UST8

- 5/8" thick solid wood
- Molding comes in a single 8' piece
- Designed for use as a decorative baseboard, starter molding for stacking crown to the ceiling, or even a valance



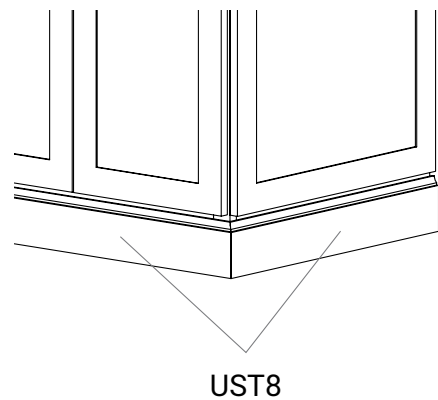
ADDITIONAL VIEWS

CROWN INSTALL DIAGRAM



NOTES

BASE INSTALL DIAGRAM

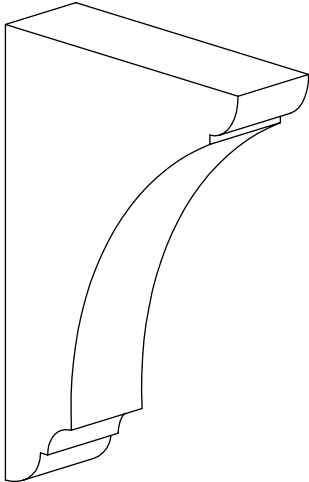


Plain Corbel

Available Door Styles: FMT, GRA, FRO, STE

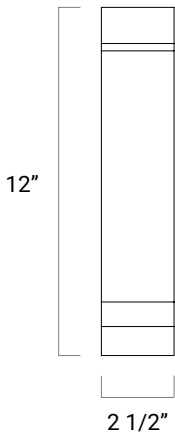
- Solid wood
- Installation bracket included

COR-PLAIN

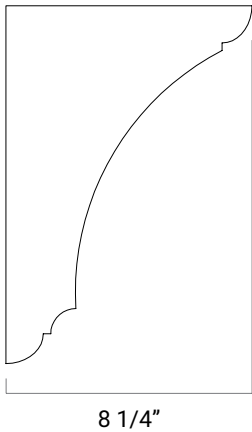


ADDITIONAL VIEWS

FRONT VIEW



SIDE VIEW



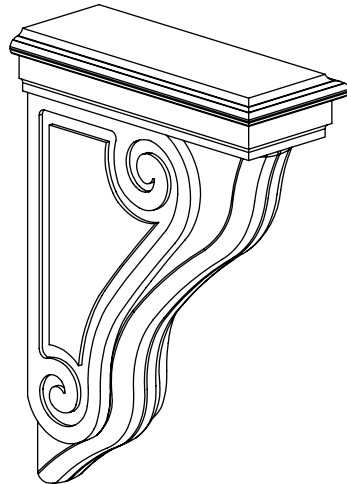
NOTES

Scroll Corbel

Available Door Styles: FMT, GRA, FRO, STE

COR-SCROLL

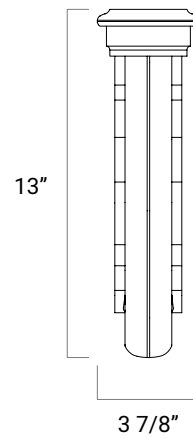
- Solid wood
- Installation bracket included



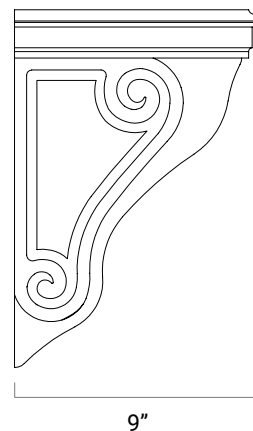
NOTES

ADDITIONAL VIEWS

FRONT VIEW



SIDE VIEW



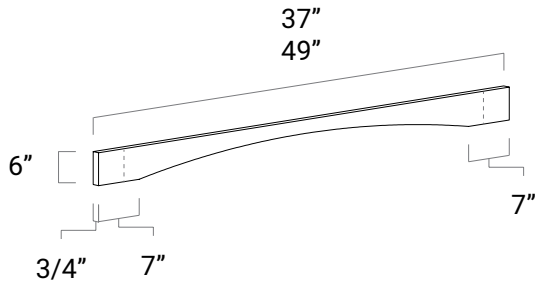
Arched Valance

Available Door Styles: FMT, GRA, FRO, STE

- 3/4" thick solid wood
- Can be cut down on either side

VAA37

VAA49



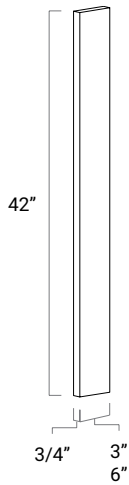
Wall Filler

Available Door Styles: FMT, GRA, FRO, STE

- 3/4" thick solid wood
- Finished front and long sides
- Cut width/height to fit as necessary

WF342

WF642

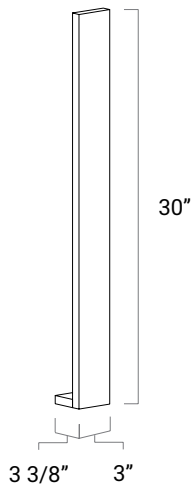


Base Filler

Available Door Styles: FMT, GRA, FRO, STE

- 3/4" thick solid wood
- Finished front, back, and sides
- Cut width/height to fit as necessary

BF3

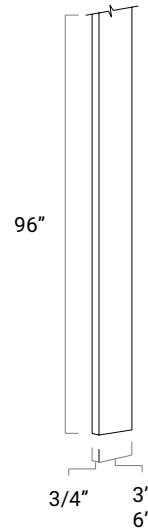


Tall Filler

Available Door Styles: FMT, GRA, FRO, STE

| |
|-------|
| TF396 |
| TF696 |

- 3/4" thick solid wood
- Finished front and sides
- Cut width/height to fit as necessary

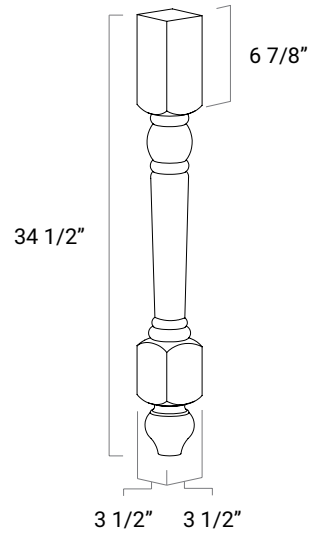


Decorative Leg

Available Door Styles: FMT, GRA, FRO, STE

| |
|-------|
| DL3.5 |
|-------|

- Solid wood
- Trimmable up to 6" from the top

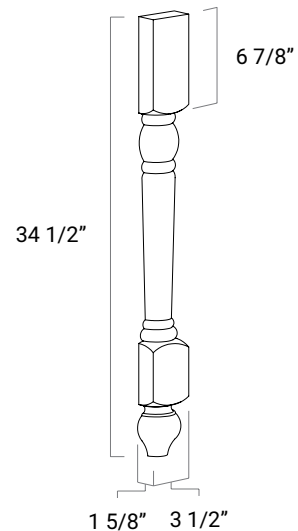


Split Decorative Leg

Available Door Styles: FMT, GRA, FRO, STE

| |
|--------|
| DLS3.5 |
|--------|

- Solid wood
- Trimmable up to 6" from the top
- Can be applied to a TF696 or WF642 cut to a minimum of 3 1/2" wide
- When installing on a 3 1/2" wide filler, be sure to adjust hinges on adjacent doors to eliminate possible binding on the decorative leg

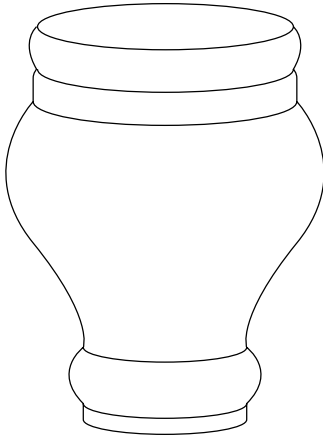


Round Bun Foot

Available Door Styles: FMT, GRA, FRO, STE

- Solid wood
- 3 1/2" wide
- 4 1/2" high

BFT-R

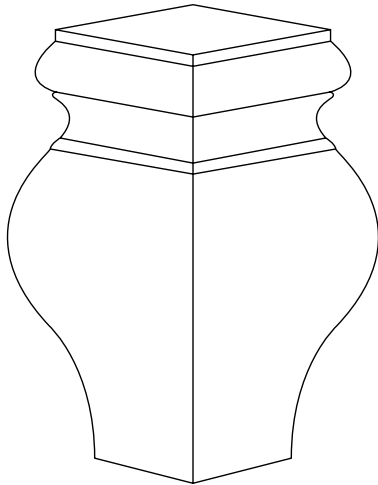


Square Bun Foot

Available Door Styles: FMT, GRA, FRO, STE

- Solid wood
- 3 1/2" wide
- 4 1/2" high

BFT-S



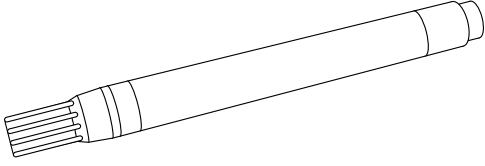
NOTES

Touch-Up Marker

Available Door Styles: FMT, GRA, FRO, STE

- Felt-tipped marker filled with stain or paint
- For small scuffs or scratches

MARKER

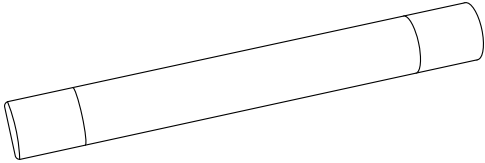


Wax Fill Stick

Available Door Styles: FMT, GRA, FRO, STE

- For small punctures and deep scratches

FILL STICK

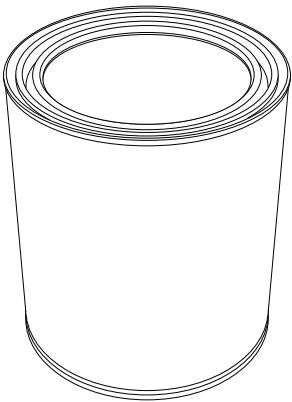


Quart of Paint

Available Door Styles: FMT, FRO, STE

- 1 quart of paint
- Stained door styles require a clear topcoat (order ACC CLEAR-AEROSOL separately)

PAINT

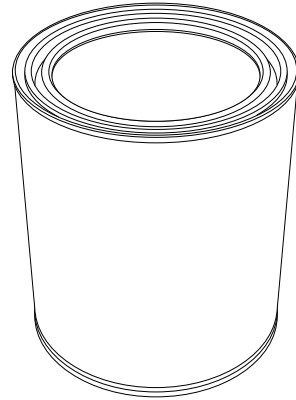


Quart of Stain

Available Door Styles: GRA

STAIN

- 1 quart of paint
- Stained door styles require a clear topcoat (order ACC CLEAR-AEROSOL separately)

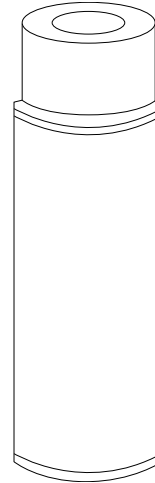


Can of Aerosol Paint

Available Door Styles: FMT, FRO, STE

PAINT AEROSOL

- Pre-catalyzed

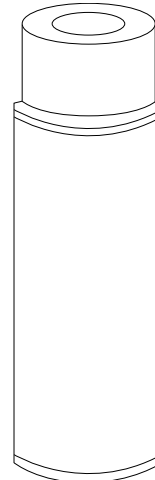


Can of Aerosol Stain

Available Door Styles: GRA

STAIN AEROSOL

- Pre-catalyzed



Choice Select®

**Can of Aerosol
Clear Coat**

Available Door Styles: FMT, GRA, FRO, STE

- No door style order code necessary

CLEAR AEROSOL





NOTES

Choice Essentials®

DOOR STYLES

DOOR CONSTRUCTION KEY

-  Indicates Solid Wood
-  Indicates Veneered MDF



SUMMIT

- Order code: SUM
- Partial overlay
- White painted finish
- Slab drawer front
- Mortis and tenon door
- MDF stile and rail
- MDF center panel

BRENTWOOD

- Order code: BRE
- Partial overlay
- Espresso stained finish
- Slab drawer front
- Mortis and tenon door
- Solid wood stile and rail
- Veneered MDF center panel



LEXINGTON

- Order code: LEX
- Partial overlay
- Brown stained finish
- Slab drawer front
- Mortis and tenon door
- Solid wood stile and rail
- Veneered MDF center panel

1-YEAR LIMITED WARRANTY:



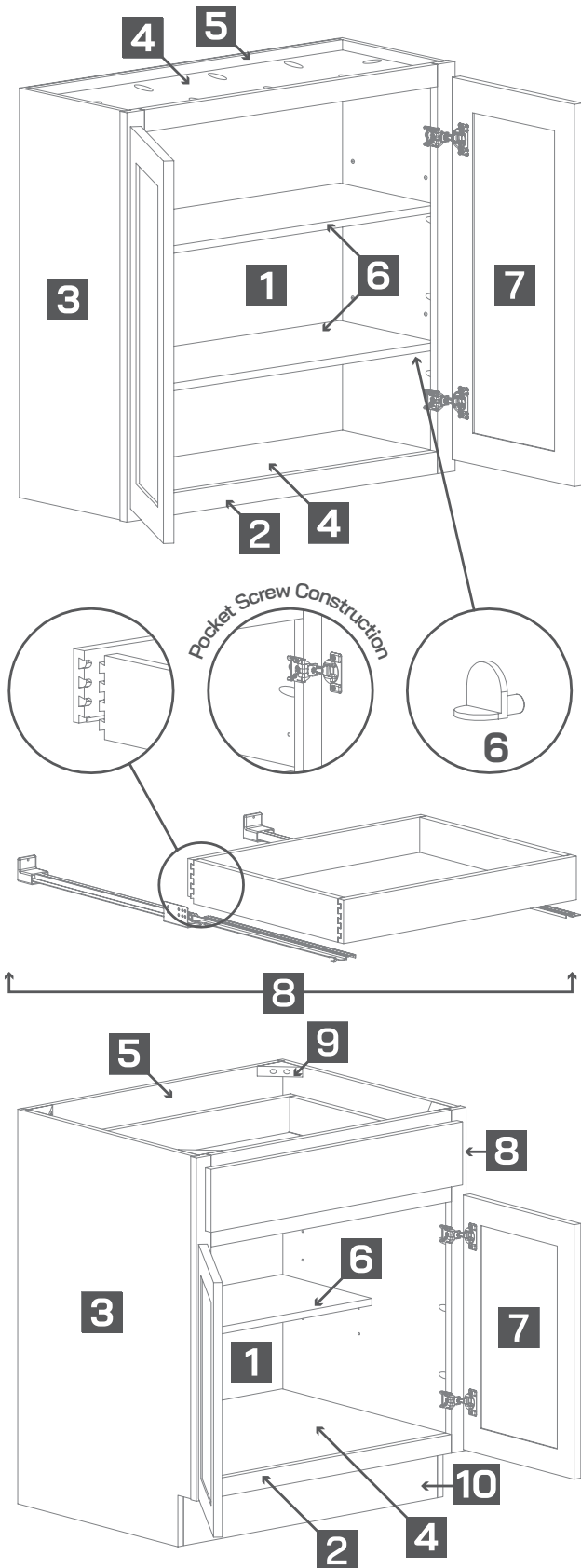
KCMA CERTIFIED:



EPA COMPLIANCE:



Construction

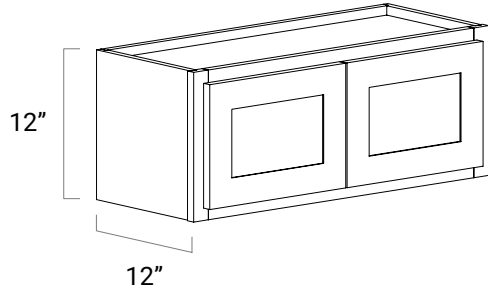


- 1** Natural hardwood interior
- 2** 3/4" solid hardwood face frame
- 3** 1/2" veneered plywood end panels with matching exterior finish
- 4** 1/2" veneered plywood captured floor and ceiling panels with natural finish
- 5** 5/8" framed plywood back*
- 6** 3/4" veneered plywood half depth, adjustable shelving with metal shelf clips**
- 7** Partial overlay solid hardwood stile and rail with veneered or painted MDF center panel and 6-way adjustable, concealed hinges (soft close optional)***
- 8** Partial overlay veneered or painted MDF slab drawer front with 5/8" veneered plywood dovetailed drawer box, 3/8" veneered plywood drawer bottom, and 3/4 extension undermount drawer glides (soft close optional)
- 9** 3/4" solid wood corner braces
- 10** 4-1/2" high and 1/2" thick unfinished veneered plywood toe kick

(*) Temporary variance may occur in back panel construction.
 (**) Temporary variance may occur in shelf thickness.
 (***) Summit has an MDF stile and rail.

Wall Bridge Double Door 12" High

Available Door Styles: SUM, BRE, LEX

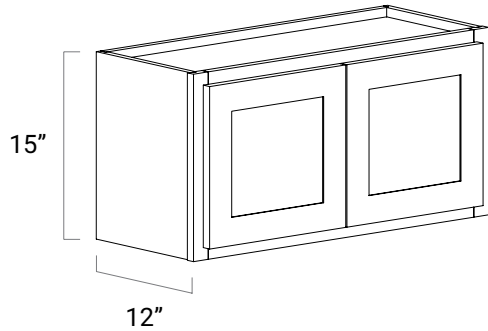


- No shelf

| |
|-------|
| W3012 |
| W3312 |
| W3612 |

Wall Bridge Double Door 15" High

Available Door Styles: SUM, BRE, LEX

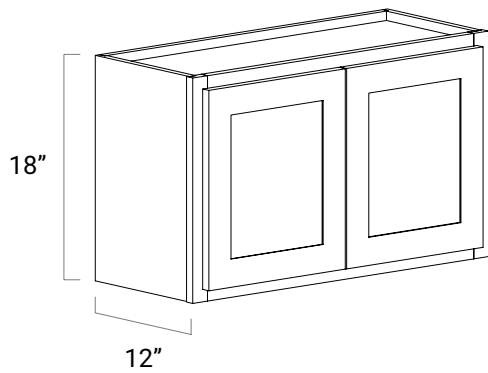


- No shelf

| |
|-------|
| W3015 |
| W3315 |
| W3615 |

Wall Bridge Double Door 18" High

Available Door Styles: SUM, BRE, LEX



- No shelf
- (*) Single door

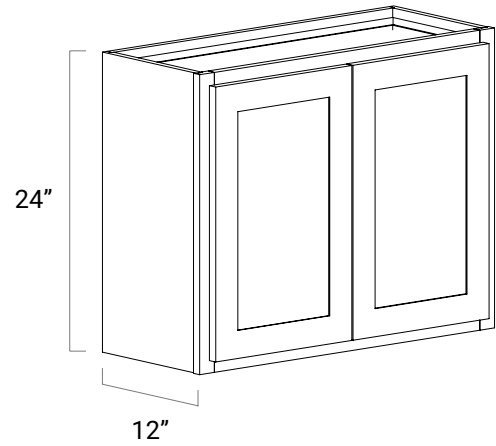
| |
|--------|
| W2118* |
| W2418 |
| W3018 |
| W3318 |
| W3618 |

Wall Bridge Double Door 24" High

Available Door Styles: SUM, BRE, LEX

| |
|-------|
| W2424 |
| W3024 |
| W3324 |
| W3624 |

- One adjustable shelf

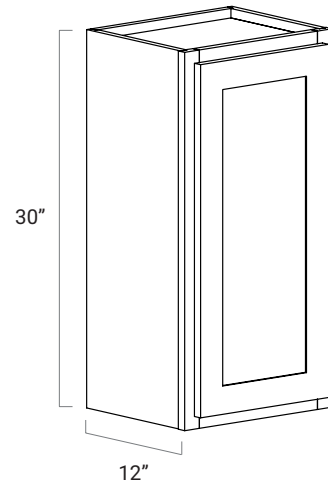


Wall Single Door 30" High

Available Door Styles: SUM, BRE, LEX

| |
|-------|
| W0930 |
| W1230 |
| W1530 |
| W1830 |
| W2130 |

- Two adjustable shelves

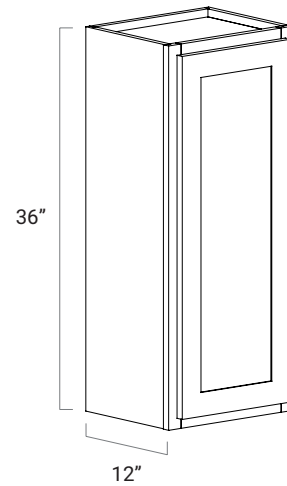


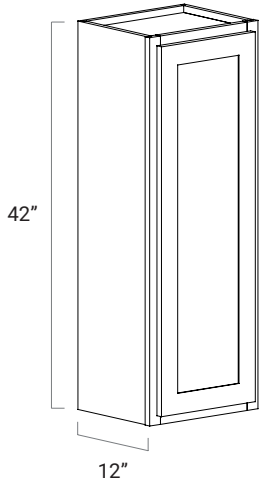
Wall Single Door 36" High

Available Door Styles: SUM, BRE, LEX

| |
|-------|
| W0936 |
| W1236 |
| W1536 |
| W1836 |
| W2136 |

- Two adjustable shelves



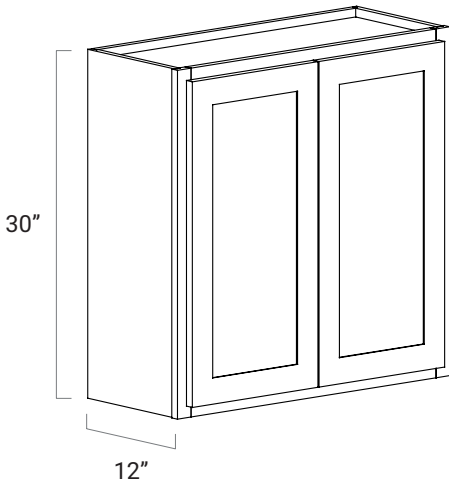


Wall Single Door 42" High

Available Door Styles: SUM, BRE, LEX

- Three adjustable shelves

| |
|-------|
| W0942 |
| W1242 |
| W1542 |
| W1842 |
| W2142 |

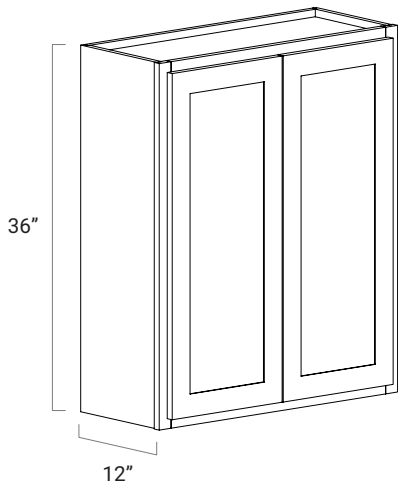


Wall Double Door 30" High

Available Door Styles: SUM, BRE, LEX

- Two adjustable shelves

| |
|-------|
| W2430 |
| W2730 |
| W3030 |
| W3330 |
| W3630 |



Wall Double Door 36" High

Available Door Styles: SUM, BRE, LEX

- Two adjustable shelves

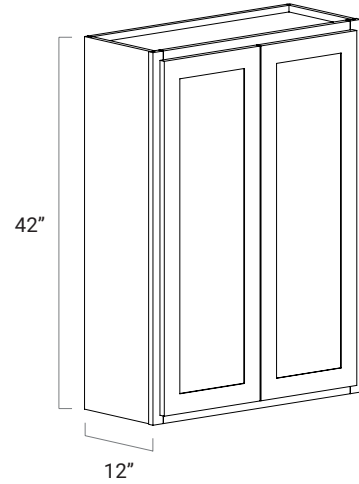
| |
|-------|
| W2436 |
| W2736 |
| W3036 |
| W3336 |
| W3636 |

Wall Double Door 42" High

Available Door Styles: SUM, BRE, LEX

| |
|-------|
| W2442 |
| W2742 |
| W3042 |
| W3342 |
| W3642 |

- Three adjustable shelves

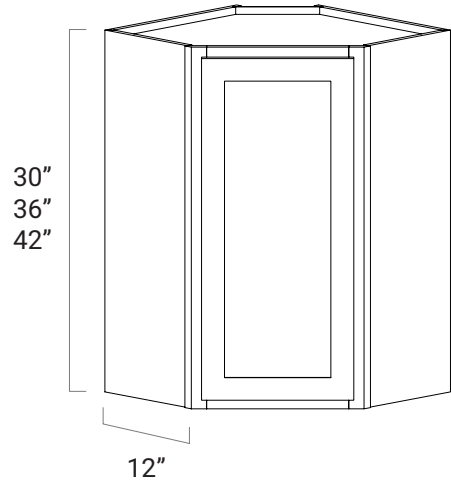


Wall Diagonal Corner

Available Door Styles: SUM, BRE, LEX

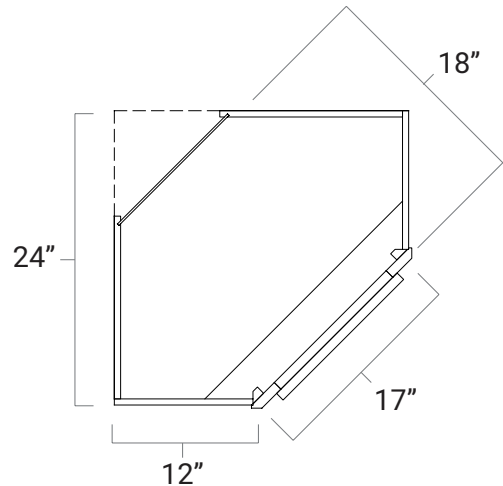
| |
|----------|
| WDC2430 |
| WDC2436 |
| WDC2442* |

- Two adjustable shelves
- 12" deep and 24" wide
- (*) WDC2442 has three adjustable shelves
- To achieve a 27" wide cabinet or to "bump" the cabinet out, 3" of blocking must be added behind the cabinet during cabinet install and skins must be applied in the field to conceal the blocking



ADDITIONAL VIEWS

TOP VIEW



NOTES

Wall Blind Corner

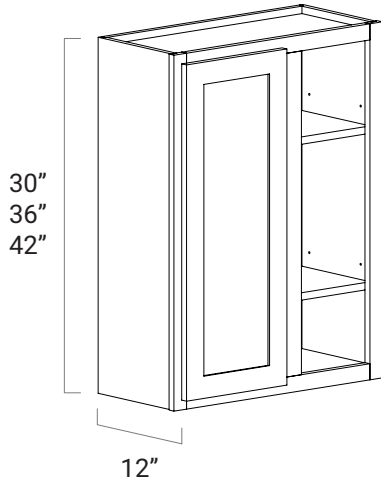
Available Door Styles: SUM, BRE, LEX

- Two adjustable shelves
- Actual cabinet width is 27"
- Must be pulled 1" from adjacent wall for a total of 28" wide
- 3" wall filler included
- Cabinet can be flipped for left or right application
- Same size door and opening as W1530, W1536, and W1542
- (*) WBC2842 has three adjustable shelves

WBC2830

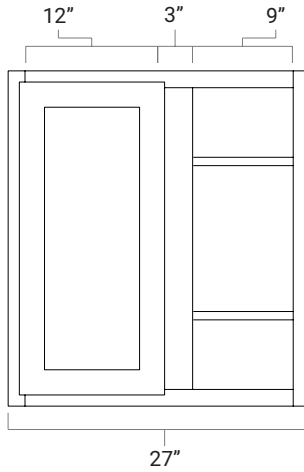
WBC2836

WBC2842*



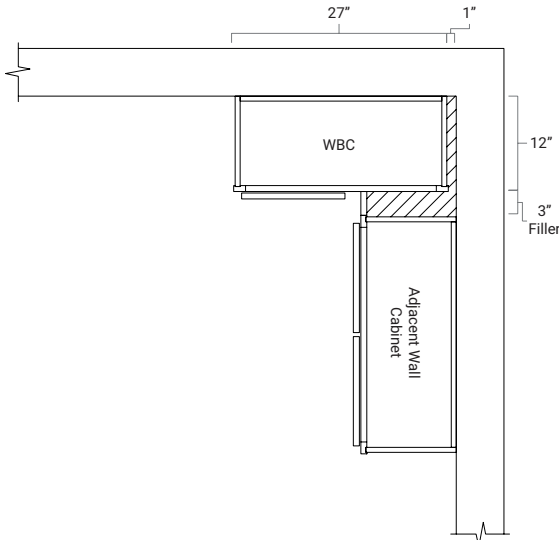
ADDITIONAL VIEWS

FACE FRAME
OPENING DIMENSIONS



NOTES

INSTALLATION DIAGRAM

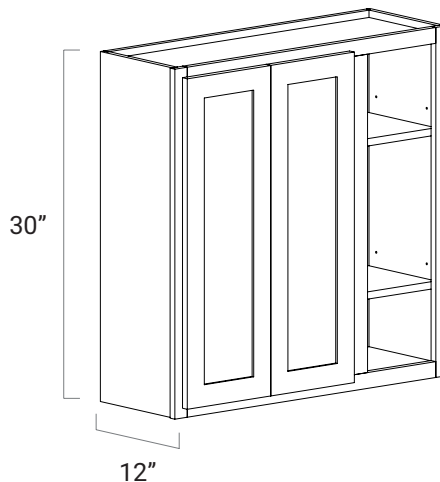


Wall Blind Corner

Available Door Styles: SUM, BRE

WBC3630

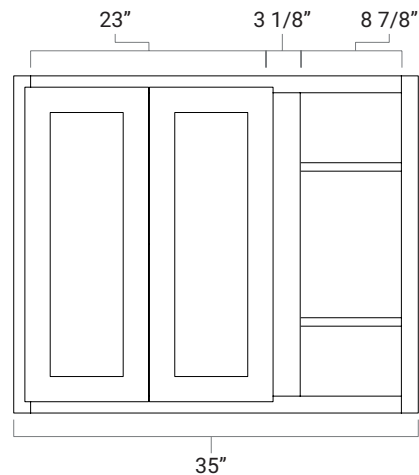
- Two adjustable shelves
- Actual cabinet width is 35"
- Must be pulled 1" from adjacent wall for a total of 36" wide
- 3" wall filler included
- Cabinet can be flipped for left or right application
- Same size doors and opening as W2430



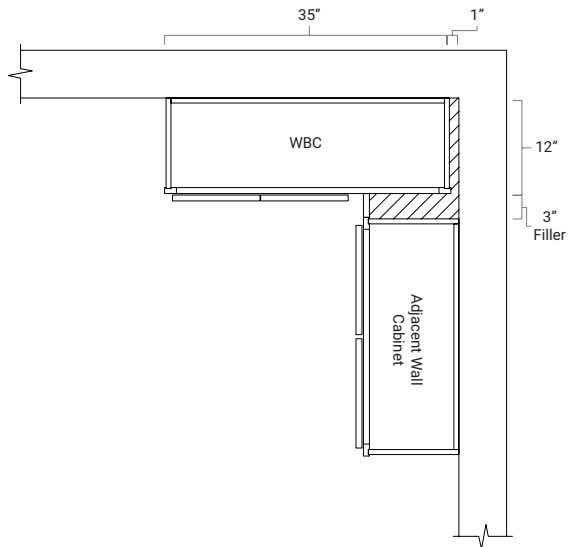
NOTES

ADDITIONAL VIEWS

FACE FRAME
OPENING DIMENSIONS

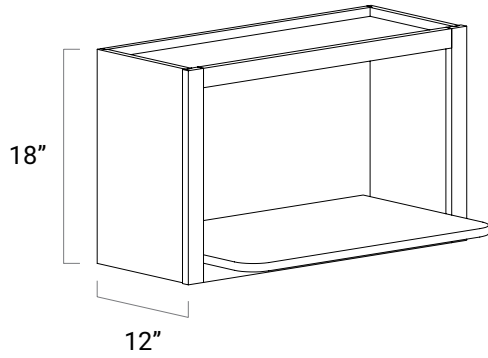


INSTALLATION DIAGRAM



Wall Microwave

Available Door Styles: SUM, BRE, LEX



- Intended for "countertop" style microwave
- Finished interior
- Finished shelf is 5/8" thick and 18" deep
- Intended for installation between two cabinets or a cabinet and a wall

MC3018

INTERIOR DIMENSIONS

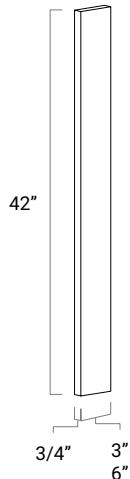
| SKU | WIDTH | HEIGHT | DEPTH |
|---------------|---------|---------|---------|
| MC3018 | 28 1/4" | 14 1/4" | 10 5/8" |

FRAME OPENING WITH SHELF DIMENSIONS

| SKU | WIDTH | HEIGHT | DEPTH |
|---------------|---------|--------|---------|
| MC3018 | 26 3/4" | 14" | 17 1/2" |

Wall Filler

Available Door Styles: SUM, BRE, LEX



- 3/4" thick solid wood
- Finished front and long sides
- Cut width/height to fit as necessary

WF342

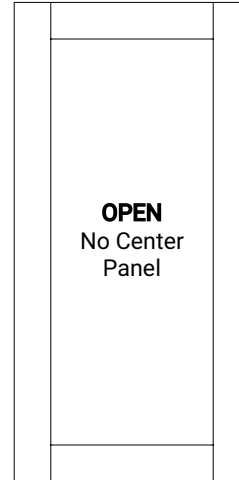
WF642

Cut Door for Glass

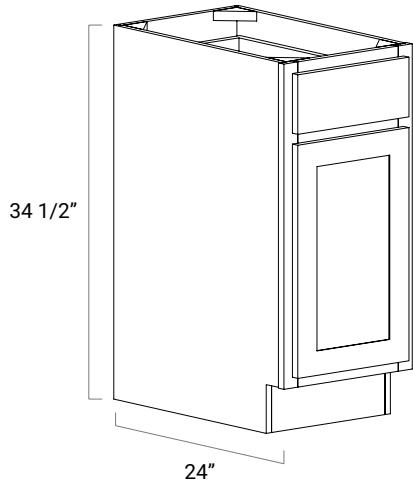
Available Door Styles: SUM, BRE, LEX

-CG

- Glass not included
- To order a door cut for glass, you would start with the door style order code, followed by the cabinet SKU, and then "-CG" (example: **SUM W1536-CG**)
- Only available for wall and tall cabinetry doors



NOTES

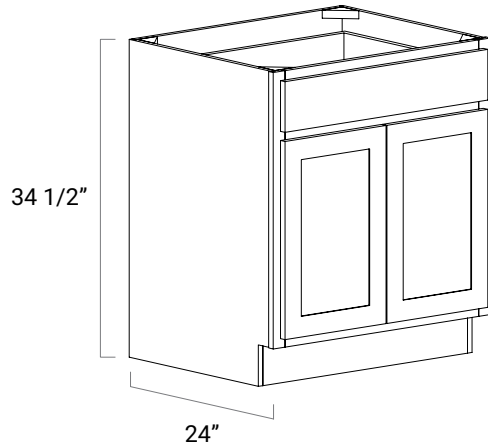


Base Single Door

Available Door Styles: SUM, BRE, LEX

- One adjustable shelf

| |
|-----|
| B12 |
| B15 |
| B18 |
| B21 |

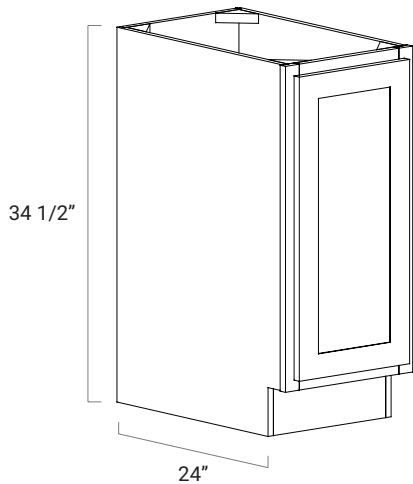


Base Double Door

Available Door Styles: SUM, BRE, LEX

- One adjustable shelf

| |
|-----|
| B24 |
| B27 |
| B30 |
| B33 |
| B36 |



Base Full Height

Available Door Styles: SUM, BRE, LEX

- One adjustable shelf

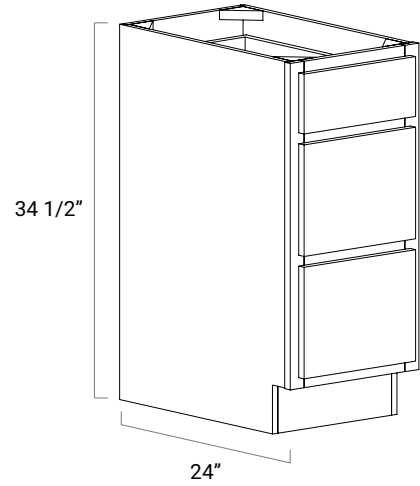
| |
|-------|
| BFH09 |
|-------|

Three Drawer Base

Available Door Styles: SUM, BRE, LEX

| |
|-------|
| 3DB12 |
| 3DB15 |
| 3DB18 |
| 3DB21 |
| 3DB24 |

- Top drawer aligns with standard base cabinetry
- Two deep drawers

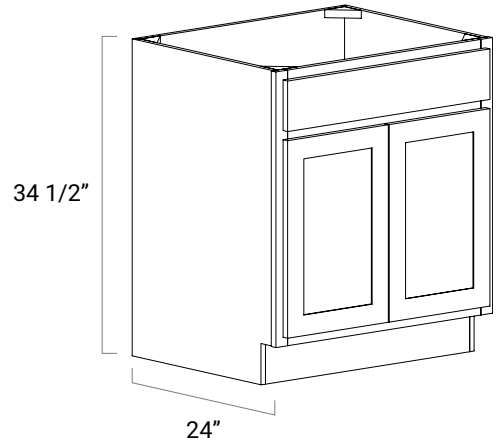


Sink Base

Available Door Styles: SUM, BRE, LEX

| |
|------|
| SB30 |
| SB33 |
| SB36 |

- False drawer front

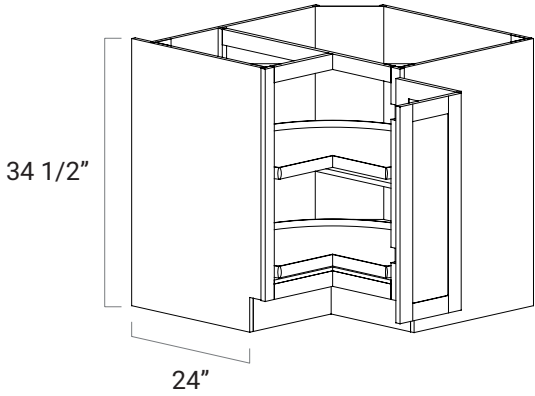


NOTES

Lazy Susan

Available Door Styles: SUM, BRE, LEX

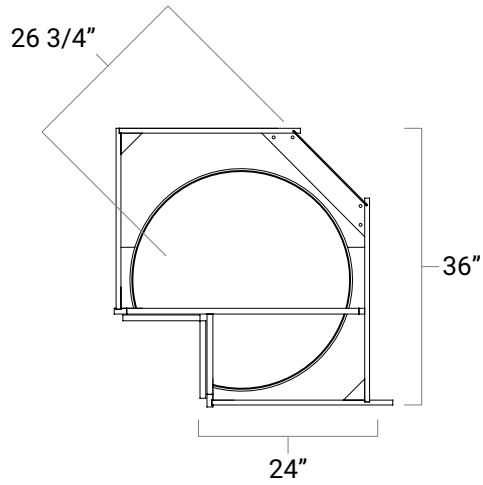
LS36-R



- Full height, bi-folding doors
- Two rotating pie-cut trays
- Trays are made of wood veneered plywood with a solid wood perimeter lip
- Undermount bearings allow for independent rotation and full access to trays
- Soft close not available
- Right hinged
- Magnetic door catch attached

ADDITIONAL VIEWS

TOP VIEW



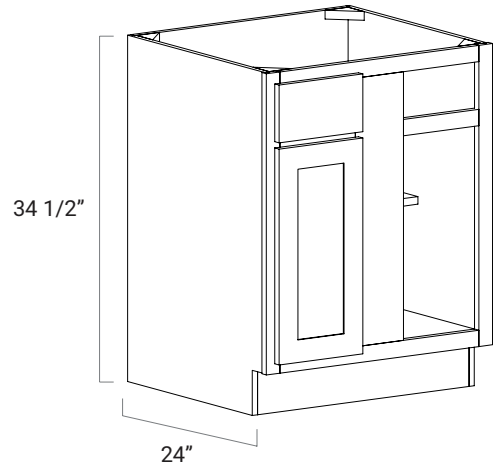
NOTES

Base Blind Corner

Available Door Styles: SUM, BRE, LEX

BBC39

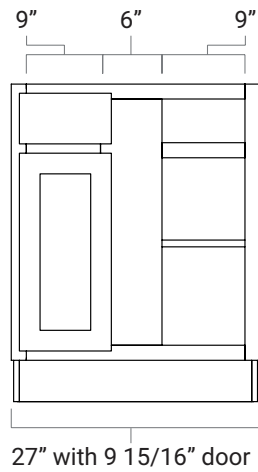
- One adjustable shelf
- Cabinet is 27" wide and must be pulled a minimum of 12" from adjacent wall
- Door and drawer can be flipped for left or right application during assembly
- 3" filler included
- Hinges are located on the center stile of the face frame and can be flipped as necessary
- Same size door, drawer, and door opening as B12



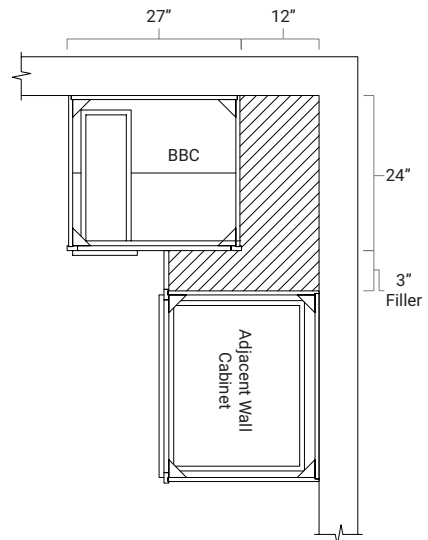
NOTES

ADDITIONAL VIEWS

FACE FRAME OPENING DIMENSIONS



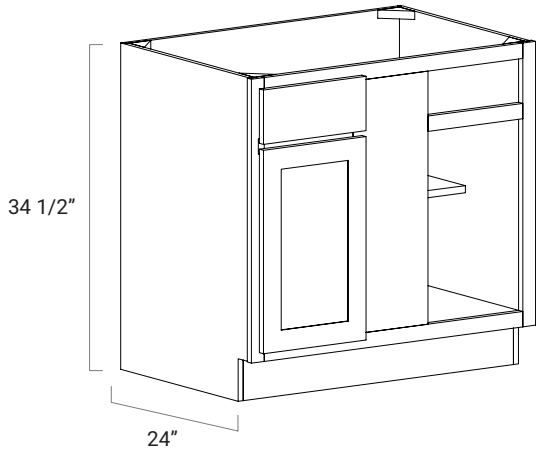
INSTALLATION DIAGRAM



Base Blind Corner

Available Door Styles: SUM, BRE, LEX

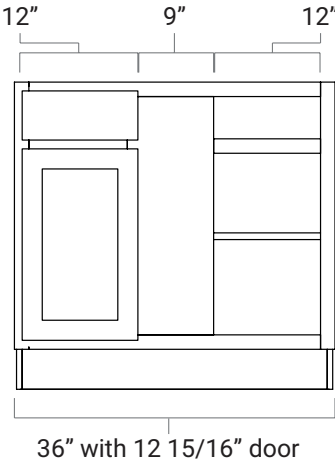
BBC43-46



- One adjustable shelf
- Cabinet is 36" wide and must be pulled a minimum of 7" or a maximum of 10" from adjacent wall
- Door and drawer can be flipped for left or right application during assembly
- 3" filler included
- Hinges are located on the center stile of the face frame and can be flipped as necessary
- Same size door, drawer, and opening as B15

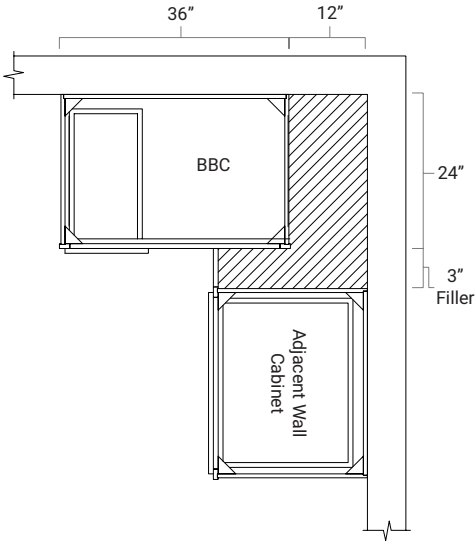
ADDITIONAL VIEWS

**FACE FRAME
OPENING DIMENSIONS**



NOTES

INSTALLATION DIAGRAM

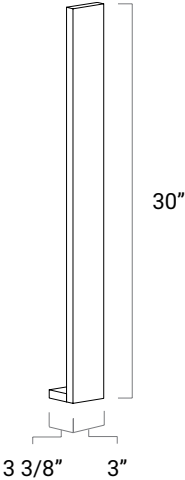


Base Filler

Available Door Styles: SUM, BRE, LEX

BF3

- 3/4" thick solid wood
- Finished front, back, and sides
- Cut width/height to fit as necessary



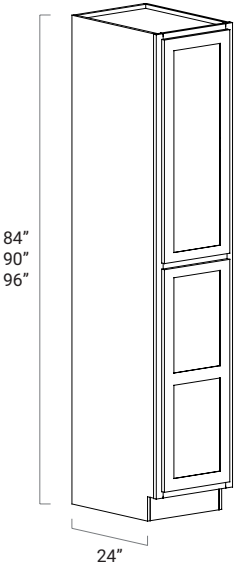
NOTES

Utility Pantry Single Door

Available Door Styles: SUM, BRE, LEX

- Lower door has center rail, creating a two-door panel door design
- Accepts 18" rollout trays (ACC ROT18 ordered separately)
- Magnetic door catch attached

| |
|---------------|
| UP1884 |
| UP1890 |
| UP1896 |



ADDITIONAL INFORMATION

| SKU | UPPER DOOR HEIGHT | # OF UPPER SHELVES | # OF LOWER SHELVES |
|---------------|-------------------|--------------------|--------------------|
| UP1884 | 30" | ONE | TWO |
| UP1890 | 36" | ONE | TWO |
| UP1896 | 42" | TWO | TWO |

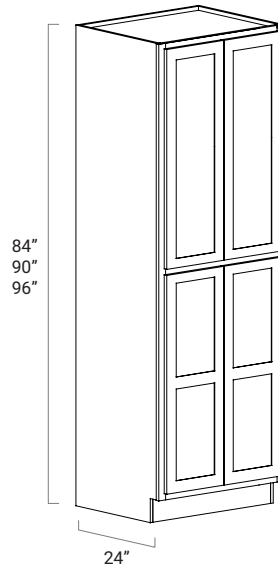
NOTES

Utility Pantry Double Door

Available Door Styles: SUM, BRE, LEX

| |
|---------------|
| UP2484 |
| UP2490 |
| UP2496 |

- Lower door has center rail, creating a two-door panel door design
- 24" wide pantries accept 24" rollout trays (ACC ROT24 ordered separately)
- Magnetic door catch attached



ADDITIONAL INFORMATION

| SKU | UPPER DOOR HEIGHT | # OF UPPER SHELVES | # OF LOWER SHELVES |
|---------------|-------------------|--------------------|--------------------|
| UP2484 | 30" | ONE | TWO |
| UP2490 | 36" | ONE | TWO |
| UP2496 | 42" | TWO | TWO |

NOTES

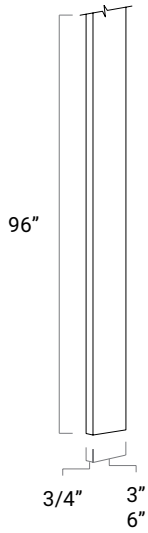
Tall Filler

Available Door Styles: SUM, BRE, LEX

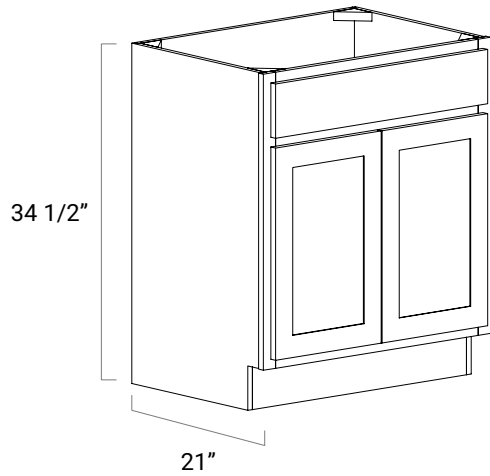
- 3/4" thick solid wood
- Finished front and sides
- Cut width/height to fit as necessary

| |
|--------------|
| TF396 |
|--------------|

| |
|--------------|
| TF696 |
|--------------|



NOTES



Vanity Sink Base

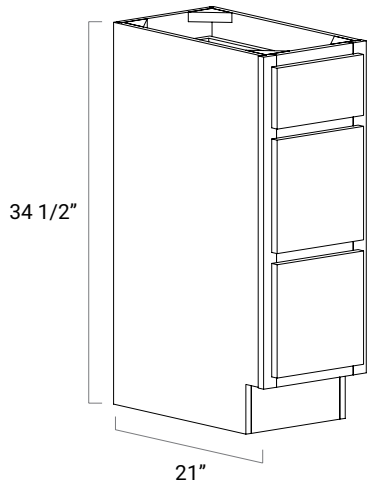
Available Door Styles: SUM, BRE, LEX

- No shelf
- For single bowl installation only
- Two doors
- Top drawer is a false drawer front
- Finished toe kick included (made to width of cabinet)

VSB243421

VSB303421

VSB363421

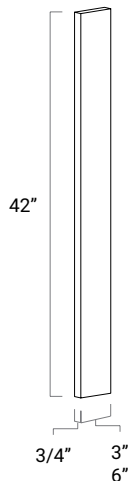


Three Drawer Vanity Drawer Base

Available Door Styles: SUM, BRE, LEX

- Top drawer aligns with standard base cabinetry
- Two deep drawers
- Finished toe kick included (made to width of cabinet)

3VDB123421



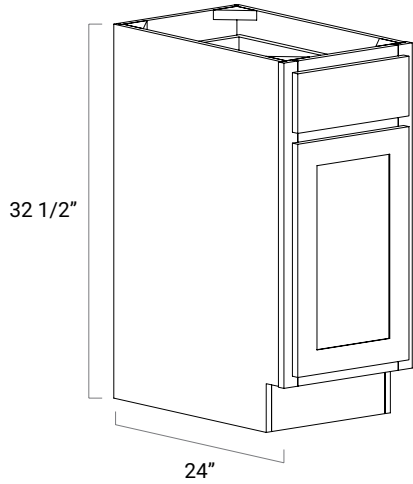
Bathroom Vanity Filler

Available Door Styles: SUM, BRE, LEX

- 3/4" thick, solid wood
- Finished front and sides
- Cut width/height to fit as necessary

WF342

WF642



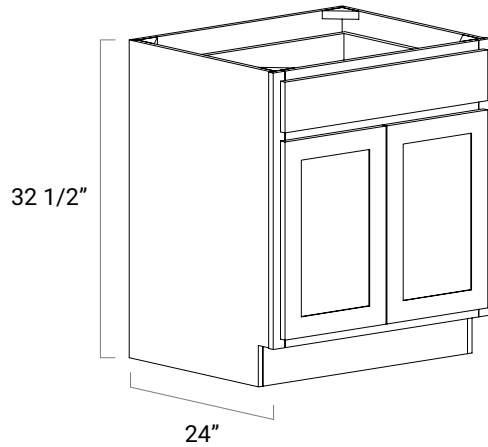
ADA Base Single Door

Available Door Styles: SUM

- One adjustable shelf

| |
|--------------|
| B1232 |
|--------------|

| |
|--------------|
| B2132 |
|--------------|



ADA Base Double Door

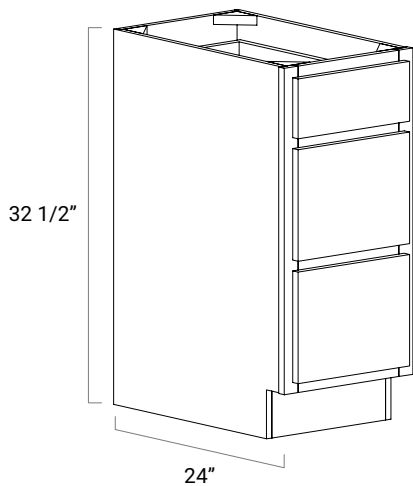
Available Door Styles: SUM

- One adjustable shelf

| |
|--------------|
| B2432 |
|--------------|

| |
|--------------|
| B3032 |
|--------------|

| |
|--------------|
| B3632 |
|--------------|



ADA Three Drawer Base

Available Door Styles: SUM

- Top drawer aligns with ADA base and bathroom vanity cabinetry
- Two deep drawers

| |
|----------------|
| 3DB1532 |
|----------------|

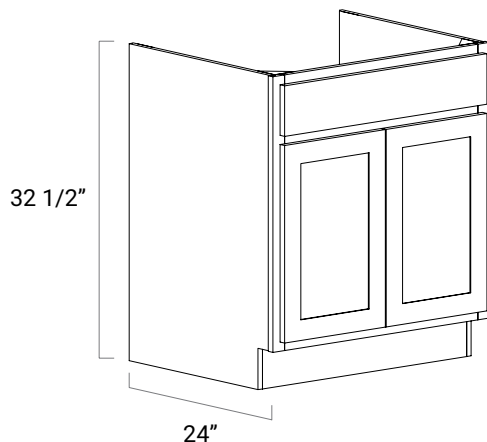
| |
|----------------|
| 3DB1832 |
|----------------|

ADA Sink Base Removable

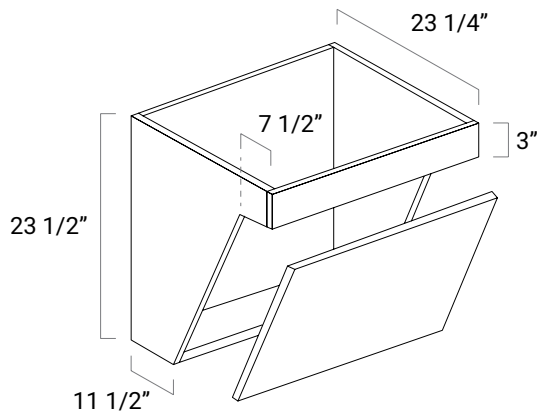
Available Door Styles: SUM

- SB3032 REM
- SB3632 REM

- No shelf
- For single bowl installation only
- Two doors
- Top drawer is a false drawer front
- Wall hung unit with plumbing panel also included
- Cabinet has no back panel
- Wall hung unit has full back panel
- Cabinet is meant to be installed around wall hung unit which allows for removable and convertible use



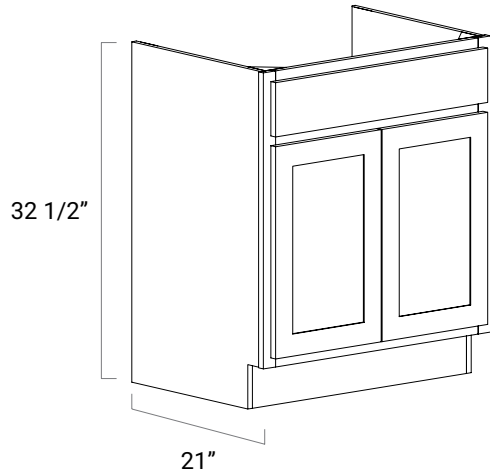
ALSO INCLUDED



NOTES

ADA Vanity Sink Base Removable

Available Door Styles: SUM

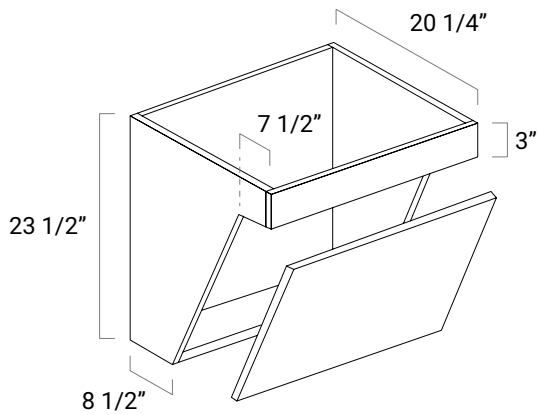


- No shelf
- For single bowl installation only
- Two doors
- Top drawer is a false drawer front
- Finished toe kick included (made to width of cabinet)
- Wall hung unit with plumbing panel also included
- Cabinet has no back panel
- Wall hung unit has full back panel
- Cabinet is meant to be installed around wall hung unit which allows for removable and convertible use

VSB3032 REM

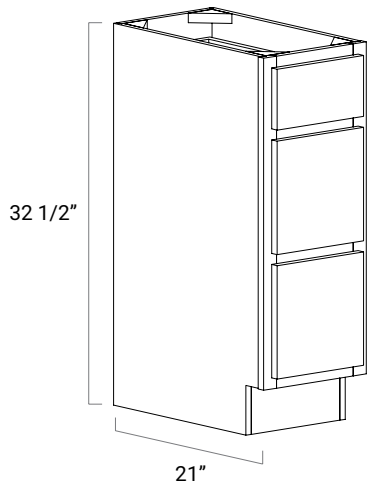
VSB3632 REM

ALSO INCLUDED



ADA Three Drawer Vanity Drawer Base

Available Door Styles: SUM



- Top drawer aligns with ADA base and bathroom vanity cabinetry
- Two deep drawers

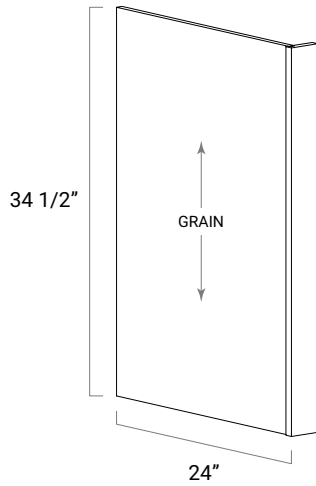
3VDB1232

Dishwasher Panel

Available Door Styles: SUM, BRE, LEX

- Intended for use next to a dishwasher
- 3/4" thick, veneered plywood panel, finished on outside
- Panel bored for assembly along one unfinished side
- 3" wide, 3/4" thick, solid wood return filler, finished on front and sides

DWP



ADDITIONAL VIEWS

TOP VIEW



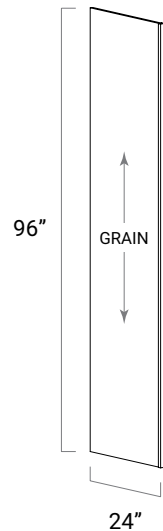
NOTES

Refrigerator Panel

Available Door Styles: SUM, BRE, LEX

RP2496

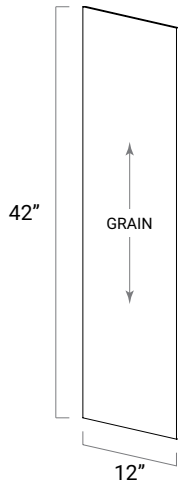
- Intended for use next to or flanking a refrigerator to conceal sides and support wall cabinetry above the appliance
- 3/4" thick, veneered plywood panel, finished on both sides
- Panel bored for assembly along one side
- 1-1/2" wide, 3/4" thick, solid wood return filler, finished on front and sides



ADDITIONAL VIEWS



NOTES

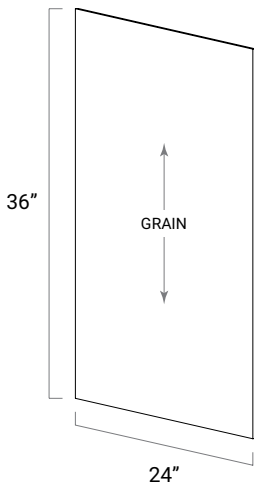


Wall Skin

Available Door Styles: SUM, BRE, LEX

- 1/4" thick
- One finished side
- Intended for skinning sides of wall cabinetry
- Cut width and height to fit
- Used to make sure side of cabinet is flush with frame
- For stained finish, construction is either veneered plywood or MDF core
- For painted finish, construction is MDF core

WSK1242

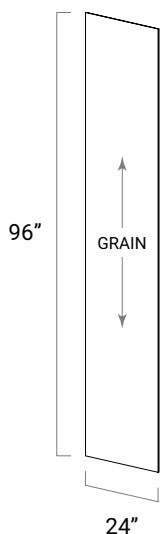


Base Skin

Available Door Styles: SUM, BRE, LEX

- 1/4" thick
- One finished side
- Intended for skinning sides of base cabinetry
- Cut width and height to fit
- Notch for toe kick in field as necessary
- Used to make sure side of cabinet is flush with frame
- For stained finish, construction is either veneered plywood or MDF core
- For painted finish, construction is MDF core

BSK



Tall Skin

Available Door Styles: SUM, BRE, LEX

- 1/4" thick
- One finished side
- Intended for skinning sides of tall cabinetry
- Cut width and height to fit
- Notch for toe kick in field as necessary
- Used to make sure side of cabinet is flush with frame
- For stained finish, construction is either veneered plywood or MDF core
- For painted finish, construction is MDF core

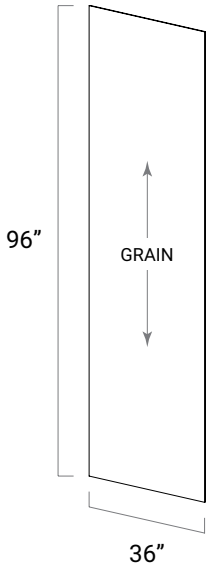
TSK2496

Back Skin

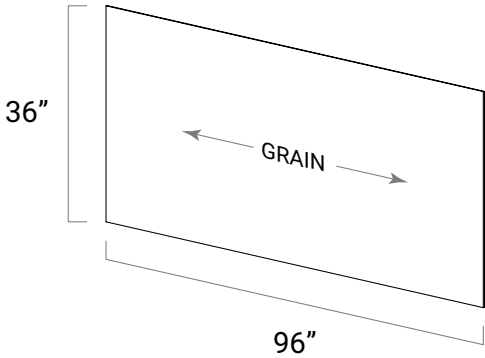
Available Door Styles: SUM, BRE, LEX

BS9636

- 1/4" thick
- One finished side
- Intended for skinning exposed backs of peninsulas, islands, and other design applications
- Grain runs parallel with 96" sides



ADDITIONAL VIEWS



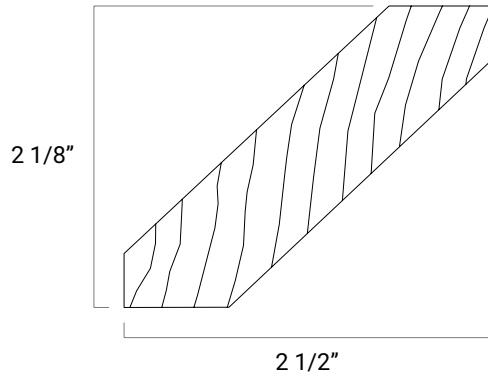
NOTES

Angled Crown Molding

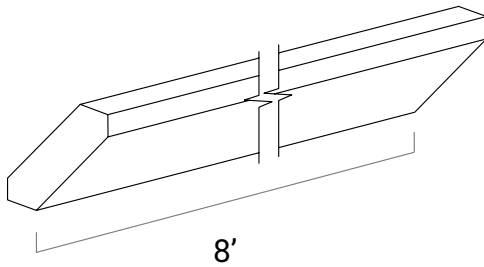
Available Door Styles: SUM, BRE, LEX

- Solid wood
- Molding comes in a single 8' piece

ACM8



ADDITIONAL VIEWS



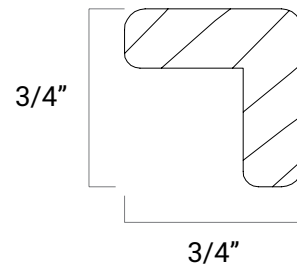
NOTES

Outside Corner Molding

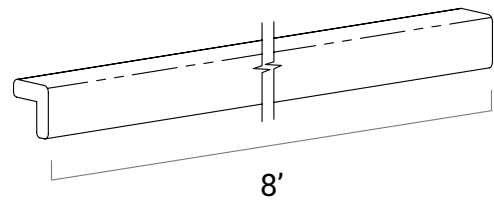
Available Door Styles: SUM, BRE, LEX

OC8

- Solid wood
- Molding comes in a single 8' piece



ADDITIONAL VIEWS



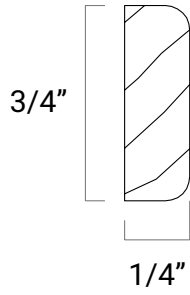
NOTES

Batten Molding

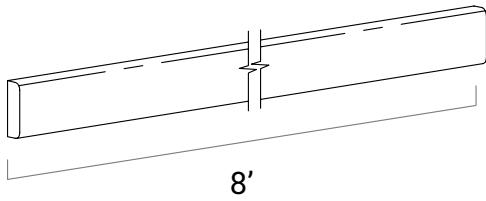
Available Door Styles: SUM, BRE, LEX

- Solid wood
- Molding comes in a single 8' piece

BM8



ADDITIONAL VIEWS



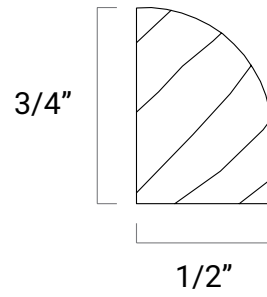
NOTES

Shoe Molding

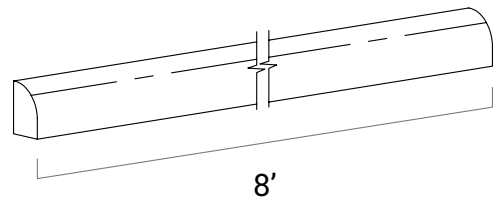
Available Door Styles: SUM, BRE, LEX

SHM8

- Solid wood
- Molding comes in a single 8' piece



ADDITIONAL VIEWS



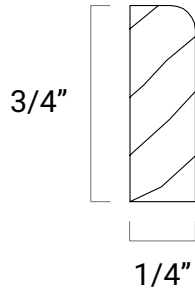
NOTES

Scribe Molding

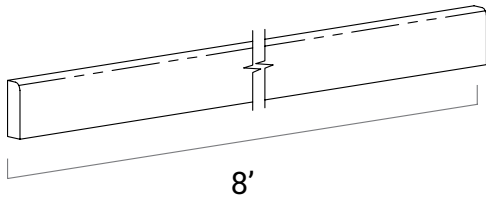
Available Door Styles: SUM, BRE, LEX

- Solid wood
- Molding comes in a single 8' piece

SCM8



ADDITIONAL VIEWS



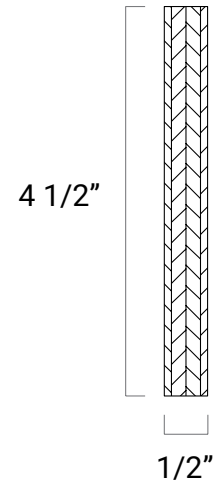
NOTES

Toe Kick

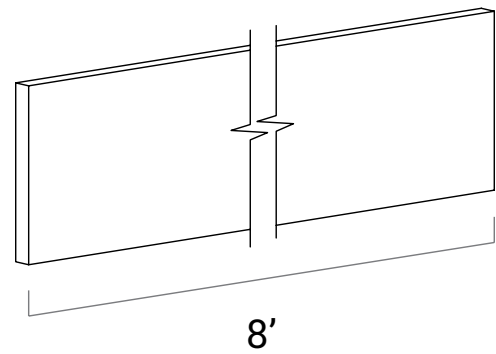
Available Door Styles: SUM, BRE, LEX

TK8

- 1/2" thick veneered plywood
- Molding comes in a single 8' piece



ADDITIONAL VIEWS



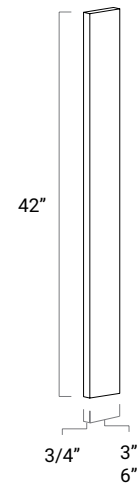
Wall Filler

Available Door Styles: SUM, BRE, LEX

WF342

WF642

- 3/4" thick solid wood
- Finished front and long sides
- Cut width/height to fit as necessary

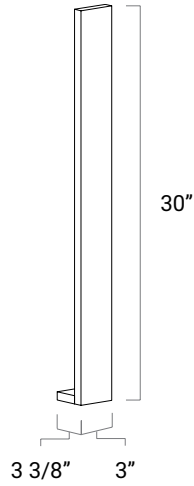


Base Filler

Available Door Styles: SUM, BRE, LEX

- 3/4" thick solid wood
- Finished front, back, and sides
- Cut width/height to fit as necessary

BF3



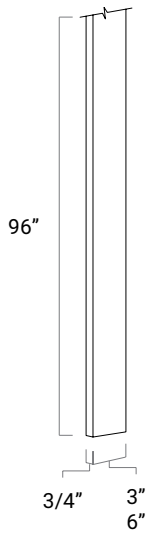
Tall Filler

Available Door Styles: SUM, BRE, LEX

- 3/4" thick solid wood
- Finished front and sides
- Cut width/height to fit as necessary

TF396

TF696



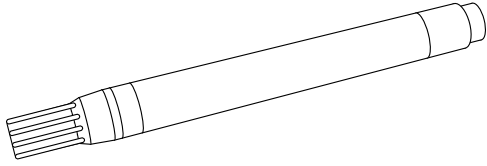
NOTES

Touch-Up Marker

Available Door Styles: SUM, BRE, LEX

- Felt-tipped marker filled with stain or paint
- For small scuffs or scratches

MARKER

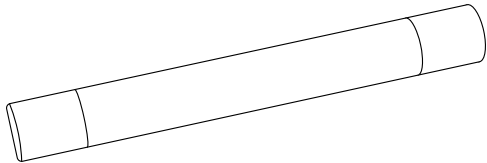


Wax Fill Stick

Available Door Styles: SUM, BRE, LEX

- For small punctures and deep scratches

FILL STICK

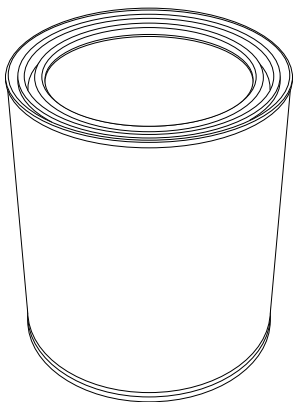


Quart of Paint

Available Door Styles: SUM

- 1 quart of paint
- Stained door styles require a clear topcoat (order ACC CLEAR-AEROSOL separately)

PAINT

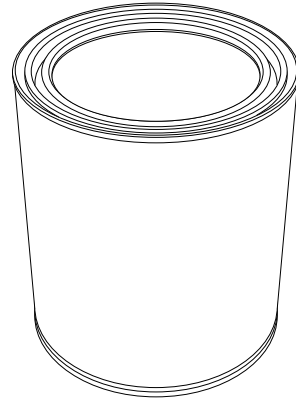


Quart of Stain

Available Door Styles: BRE, LEX

STAIN

- 1 quart of paint
- Stained door styles require a clear topcoat (order ACC CLEAR-AEROSOL separately)

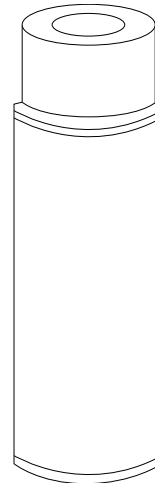


Can of Aerosol Paint

Available Door Styles: SUM

PAINT AEROSOL

- Pre-catalyzed

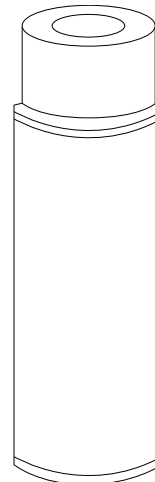


Can of Aerosol Stain

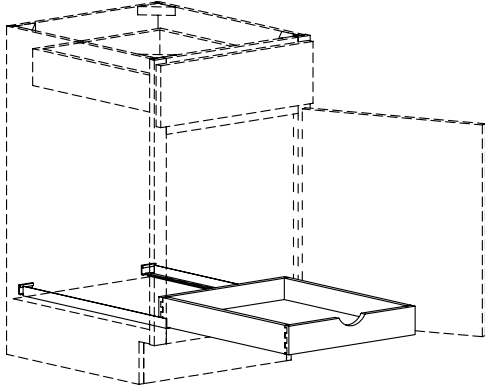
Available Door Styles: BRE, LEX

STAIN AEROSOL

- Pre-catalyzed



Roll-Out Tray

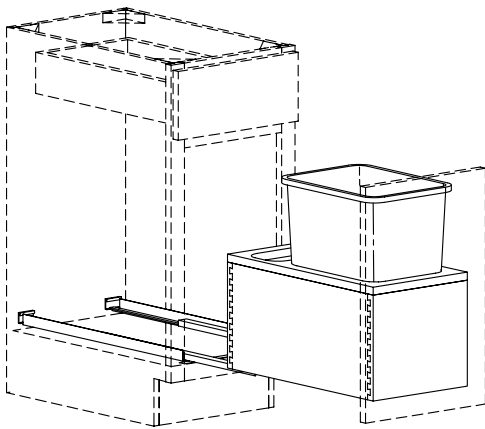


Available Door Styles: FMT, GRA, FRO, STE, SUM, BRE, LEX

- Sold individually and separately from cabinet
- Solid wood dovetailed construction
- 2 1/2" high sides
- Undermount, full extension soft close glides
- For 24" deep cabinets

| |
|--------------|
| ROT15 |
| ROT18 |
| ROT21 |
| ROT24 |
| ROT27 |
| ROT30 |
| ROT33 |
| ROT36 |

Trash Pull-Out Single Bin

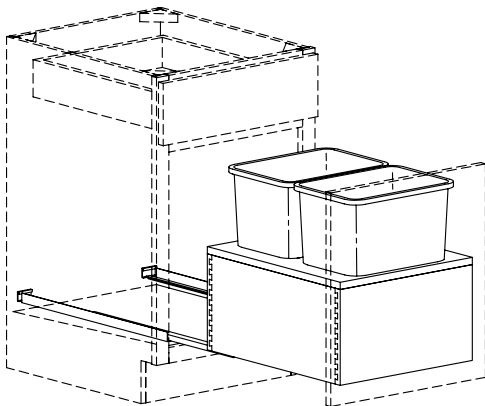


Available Door Styles: FMT, GRA, FRO, STE, SUM, BRE, LEX

- Sold separately from cabinet
- Solid wood dovetailed base support construction
- Undermount, full extension soft close glides
- Comes with one white 35 quart waste container

| |
|---------------|
| TPOS15 |
|---------------|

Trash Pull-Out Double Bin



Available Door Styles: FMT, GRA, FRO, STE, SUM, BRE, LEX

- Sold separately from cabinet
- Solid wood dovetailed base support construction
- Undermount, full extension soft close glides
- Comes with two white 35 quart waste container

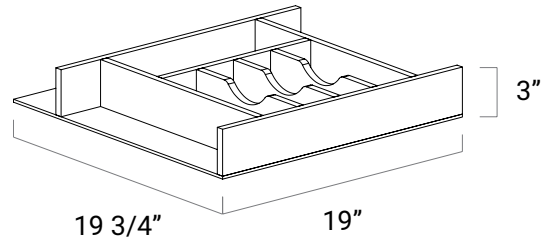
| |
|---------------|
| TPOD18 |
| TPOD21 |

Wooden Cutlery Divider

Available Door Styles: FMT, GRA, FRO, STE, SUM, BRE, LEX

WCD

- Solid wood
- Natural hardwood finish
- Designed to fit in top drawer of 24" wide Choice Select® base cabinet but can be cut down to fit in top drawer of 18" or 21" wide cabinet
- Will need to be cut down to fit in 18"-24" wide Choice Essentials® base cabinets
- 1/2" thick solid wood dividers used throughout

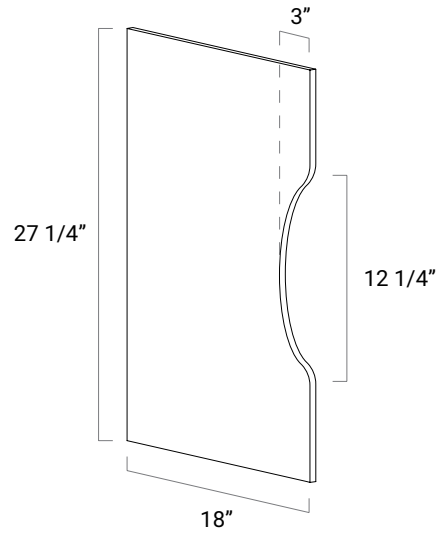


Wooden Tray Divider

Available Door Styles: FMT, GRA, FRO, STE, SUM, BRE, LEX

TRAY DIV

- 3/4" thick veneered plywood
- Edge banded front
- Natural hardwood finish
- Sold individually
- Cut width/height to fit as necessary



NOTES

Undermount Soft Close Glide Pair

Available Door Styles: FMT, GRA, FRO, STE, SUM, BRE, LEX

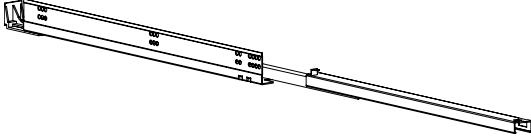
- Pair of glides
- Full extension
- Undermount
- Soft close
- Receivers included
- Numbers indicate cabinet depth and not glide depth
- Item order code must be preceded by "ACC GLIDE"

UMSC15

UMSC18

UMSC21

UMSC24



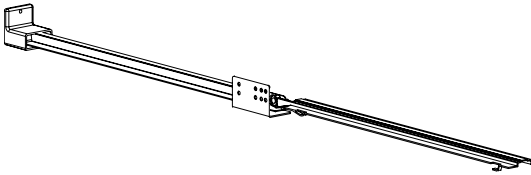
Undermount Epoxy Glide Pair

Available Door Styles: SUM, BRE, LEX

- Pair of glides
- 3/4 extension
- Undermount
- Receivers included
- Numbers indicate cabinet depth and not glide depth
- Item order code must be preceded by "ACC GLIDE"

UMEP21

UMEP24



6-Way Adjustable Soft Close Hinge Full Overlay

Available Door Styles: FMT, GRA, FRO, STE

- 6-way adjustable
- Built-in soft close feature with toggle switch

6ADJSCH-FO



6-Way Adjustable Soft Close Hinge Partial (Standard) Overlay

Available Door Styles: SUM, BRE, LEX

6ADJSCH-PO

- 6-way adjustable
- Built-in soft close feature with toggle switch

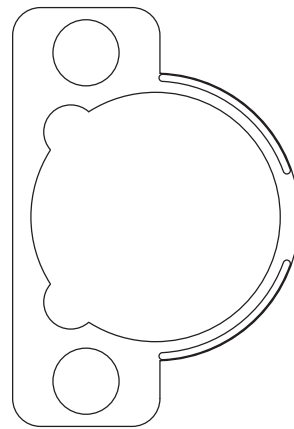


Hinge Spacer

Available Door Styles: FMT, GRA, FRO, STE, SUM, BRE, LEX

SPACER

- For adjusting cup holes on larger doors



NOTES

Diecast Knob

Available Door Styles: FMT, GRA, FRO, STE, SUM, BRE, LEX

- Available in Satin Nickel, Rose Gold, and Matte Black finish
- 1-1/4" diameter
- Shown in Satin Nickel finish

| |
|-----------------|
| 105-SN-K |
|-----------------|

| |
|-----------------|
| 105-RG-K |
|-----------------|

| |
|-----------------|
| 105-BK-K |
|-----------------|



Cup Pull

Available Door Styles: FMT, GRA, FRO, STE, SUM, BRE, LEX

- Available in Satin Nickel, Rose Gold, and Matte Black finish
- 3-3/4" overall length
- 3" center to center
- Shown in Satin Nickel finish

| |
|-----------------|
| 204-SN-P |
|-----------------|

| |
|-----------------|
| 204-RG-P |
|-----------------|

| |
|-----------------|
| 204-BK-P |
|-----------------|



Spherical Knob

Available Door Styles: FMT, GRA, FRO, STE, SUM, BRE, LEX

- Available in Satin Nickel, Rose Gold, and Matte Black finish
- 1-1/4" diameter
- Shown in Satin Nickel finish

| |
|-----------------|
| 104-SN-K |
|-----------------|

| |
|-----------------|
| 104-RG-K |
|-----------------|

| |
|-----------------|
| 104-BK-K |
|-----------------|



4" Deco Pull

Available Door Styles: FMT, GRA, FRO, STE, SUM, BRE, LEX

| |
|-----------------|
| 203-SN-P |
| 203-RG-P |
| 203-BK-P |

- Available in Satin Nickel, Rose Gold, and Matte Black finish
- 4-1/4" overall length
- 3-3/4" center to center
- Shown in Satin Nickel finish



Square Knob

Available Door Styles: FMT, GRA, FRO, STE, SUM, BRE, LEX

| |
|-----------------|
| 103-SN-K |
| 103-RG-K |
| 103-BK-K |

- Available in Satin Nickel, Rose Gold, and Matte Black finish
- 1-1/4" width
- Shown in Satin Nickel finish



6" Deco Pull

Available Door Styles: FMT, GRA, FRO, STE, SUM, BRE, LEX

| |
|-----------------|
| 205-SN-P |
| 205-RG-P |
| 205-BK-P |

- Available in Satin Nickel, Rose Gold, and Matte Black finish
- 5-1/2" overall length
- 5" center to center
- Shown in Satin Nickel finish



Round Flat Top Knob

Available Door Styles: FMT, GRA, FRO, STE, SUM, BRE, LEX

- Available in Satin Nickel, Rose Gold, and Matte Black finish
- 1-1/4" diameter
- Shown in Satin Nickel finish

| |
|-----------------|
| 102-SN-K |
|-----------------|

| |
|-----------------|
| 102-RG-K |
|-----------------|

| |
|-----------------|
| 102-BK-K |
|-----------------|



4" Square Edge Pull

Available Door Styles: FMT, GRA, FRO, STE, SUM, BRE, LEX

- Available in Satin Nickel, Rose Gold, and Matte Black finish
- 4-3/4" overall length
- 3-3/4" center to center
- Shown in Satin Nickel finish

| |
|-----------------|
| 207-SN-P |
|-----------------|

| |
|-----------------|
| 207-RG-P |
|-----------------|

| |
|-----------------|
| 207-BK-P |
|-----------------|



6" Square Edge Pull

Available Door Styles: FMT, GRA, FRO, STE, SUM, BRE, LEX

- Available in Satin Nickel, Rose Gold, and Matte Black finish
- 7-1/2" overall length
- 6-1/4" center to center
- Shown in Satin Nickel finish

| |
|-----------------|
| 206-SN-P |
|-----------------|

| |
|-----------------|
| 206-RG-P |
|-----------------|

| |
|-----------------|
| 206-BK-P |
|-----------------|



2" Bar Pull Knob

Available Door Styles: FMT, GRA, FRO, STE, SUM, BRE, LEX

| |
|----------|
| 101-SN-K |
| 101-RG-K |
| 101-BK-K |

- Available in Satin Nickel, Rose Gold, and Matte Black finish
- 2" length
- Shown in Satin Nickel finish



6" Bar Pull

Available Door Styles: FMT, GRA, FRO, STE, SUM, BRE, LEX

| |
|----------|
| 201-SN-P |
| 201-RG-P |
| 201-BK-P |

- Available in Satin Nickel, Rose Gold, and Matte Black finish
- 6" overall length
- 3-3/4" center to center
- Shown in Satin Nickel finish



10" Bar Pull

Available Door Styles: FMT, GRA, FRO, STE, SUM, BRE, LEX

| |
|----------|
| 202-SN-P |
| 202-RG-P |
| 202-BK-P |

- Available in Satin Nickel, Rose Gold, and Matte Black finish
- 10" overall length
- 7" center to center
- Shown in Satin Nickel finish



Cleaning, Care & Maintenance

HOW TO CLEAN YOUR CABINETS

The finish on Choice cabinetry is just like that of a high quality piece of furniture. Although it is designed to protect against normal, everyday home use, general upkeep and cleanliness are very important. With proper care, your cabinetry will last long and look good for generations to come.

DUSTING

Dust your cabinets frequently with a soft, lint-free cloth. If need be, slightly dampen the cloth with water or a spray-type dust remover.

SPILLS

Clean spills and splatters immediately. Prolonged exposure to spills, including food, water or other liquids, or to oil and grease can cause permanent discoloration or damage your cabinet's finish. To clean spills, use a clean, soft cloth dampened with mild soap. Dry immediately with another clean, soft cloth.

CLEANING

Use a clean, soft cloth dampened with mild soap to clean your cabinets. Dry immediately with another clean, soft cloth. There are also a number of wood cleaning products available for use on cabinetry.

WAXING & POLISHING

Waxing your cabinets is not required or recommended. Over time, the wax will build up on the surface of the cabinet. This can cause a hazy, streaky, or yellowed appearance, as well as attract dust particles. The wax can become very difficult to remove. We recommend that you clean and polish your cabinets once or twice each year. To polish your cabinets, use a light coat of quality furniture polish.

GLASS DOORS

If you have glass panels installed in your cabinet doors, you will want to clean them periodically. To clean the glass, you can use any commercial glass cleaner. Never apply glass cleaner directly to the glass. Spray a small amount of cleaner onto a clean, soft cloth or paper towel, then wipe the glass. Be careful not to damage the cabinet finish or parts while cleaning.

HARDWARE

You will want to periodically clean knobs, pulls, or handles installed on your cabinet doors/drawers. To do so, use a clean, soft cloth dampened with mild soap. Thoroughly dry all hardware joints, surfaces, and the surrounding area with another clean, soft cloth.

PRODUCTS TO AVOID

- Harsh chemicals
- Solvent or petroleum-based products such as mineral spirits, nail polish removers, and paint thinners
- Abrasive cleaning products
- Ammonia or cleaning products that may contain ammonia
- Bleach or cleaning products that may contain bleach

HOW TO CARE FOR YOUR CABINETS

SELF-CLEANING APPLIANCES

Self-cleaning appliances use intense heat during the clean cycle. During installation and with age, the integrity of the seal or gasket on the appliance can be compromised. Because of this, Choice Cabinet recommends the removal of any cabinet doors and/or drawers located adjacent to or directly above the appliance during a cleaning cycle.

HEAT-PRODUCING APPLIANCES

Mounting or placing heat-producing appliances beneath cabinets is not recommended. The excess heat and moisture from appliances such as coffee makers and toaster ovens can damage your cabinets.

UV EFFECTS

Ultraviolet light rays from natural sunlight can affect the appearance of your cabinets. Depending on the natural characteristics of wood and the applied finish, the amount/direction of light exposure, and the portion of the cabinet that receives light, the appearance of your cabinet(s) may change over time.

CABINET MAINTENANCE

No matter how careful you are with your cabinetry, normal wear and tear from everyday use is inevitable. That's why Choice Cabinet has made it easier than ever to keep your cabinets feeling and looking brand new.

TOUCH-UP

We offer Touch-Up Markers and Fill Sticks that have been specially formulated for each of our high quality cabinet finishes. Please work with your Choice Cabinet Design Professional on how to acquire and properly use these products.

NOTE: Substantial repairs may require the help of a professional refinisher.

ADJUSTING YOUR CABINETRY HARDWARE

Over time, the door hinges, soft close pistons, drawer glides, and decorative hardware on your cabinetry may need to be tightened or adjusted. All of our hardware has been designed to be easily adjusted by you, the customer, with a Phillips-head ("crosshead") screwdriver. Soft close pistons are adjusted by simply finger turning the small dial on the backside of the piston.

Warranty Information

PRODUCT & FINISH INFORMATION

Because we use real wood in our products, there are certain characteristics and qualities with which you may not be familiar. Because your satisfaction is our number one priority, we want to make sure you are fully aware of the important information listed below regarding our cabinetry and the applied finish.

EXPANSION & CONTRACTION

Because half of the weight of freshly cut wood is water, these natural properties are such that they can react to climate or humidity changes in your home. Choice Cabinet doors and face frames are manufactured from solid wood that has been carefully kiln-dried, retaining just enough moisture for proper construction and finishing. The center panels of the Choice Cabinet doors are either wood or medium density fiberboard. As a product of nature, solid hardwoods continue to react to their surroundings long after the manufacturing process has been completed. When wood cabinet doors are in a warm, moist environment (high humidity), the wood expands. In a dry, colder environment (low humidity), the wood will contract. Even with humidity regulation, this phenomenon can be controlled, but it can never be completely eliminated.

Door panels are prone to minor expansion and contraction as seasonal temperature and humidity changes occur in a home. The contraction (shrinkage) of the center door panel during low humidity periods may result in the appearance of an unfinished line along the edge of the center panel. Choice Cabinet does not consider the appearance of an unfinished line as a defect and will not replace doors due to this situation. It is recommended that a humidity control system is incorporated in a home to reduce the possibility of expansion and contraction in wood products. Touch-up markers are made available to cover this edge line. Oftentimes, touch-up for this issue may only be necessary within the first year.

Choice Cabinet is not responsible for any of these conditions and variations.

FINISHES

Over time, wood species in all finishes will exhibit color changes when exposed to different types of light and environment. Such color changes are to be expected and are not defects. Due to the natural variation and aging process of wood, minor differences may be observed in color match when replacing doors or adding cabinets at a later date. It is a characteristic of stained and painted wood finishes to age over time when exposed to smoke, sunlight, or general household cleaning chemicals.

Graining differences, mineral streaks, and wood color variations are expected in wood cabinetry and are not classified as defects. A newly installed kitchen could have these minor color variations.

Choice Cabinet offers several types of painted finishes on cabinetry. Painted finishes are exceedingly different from the standard stained finish. Since normal movement is typical in wood products, certain climatic conditions can cause finish breaks, recesses, and joint/panel lines. Joint separation can be more visible on mitered doors. Consequently, in places and environments of extremely high or extremely low humidity, painted finishes are not recommended. Joint lines and variations are common attributes of painted finishes and will not be considered sufficient reasons for product replacement.

Some of our products have glaze finishes. Since glaze detailing is hand applied then hand wiped off, glaze

may “hang up” or remain in any corners of the door or drawer profile. Because the glaze is a hand applied procedure, detailing can differ from piece to piece.

NOTE: Independent testing has shown that discoloration will develop on doors, drawers, and cabinet parts after continued exposure to tobacco smoke. This is remarkably apparent on white and lighter finishes. We do not warrant discoloration in our products due to exposure to smoke..

JOINT LINES

Expansion and contraction in doors and face frames can cause visible lines at the joints. The finish will still protect the surface, and the structural integrity of the joint will not be affected. An open joint line is not considered a defect.

Warranty Information



LIFETIME LIMITED WARRANTY

I. DESCRIPTION OF WARRANTY

This warranty applies only to the original purchaser and is not transferable. From the time of purchase, Choice Cabinet offers a Lifetime Limited Warranty on all of its cabinetry. In addition to cabinetry, all drawers, shelves, roll out trays, and mechanical components are covered under the warranty as well. In the event that any Choice Cabinet product fails during the course of normal use, Choice Cabinet, at its discretion, will either repair or replace the defective product.

Whether the work was performed by a contractor, Choice Cabinet authorized dealer, or you; any expenses involved in the shipping, removal, installation, or consequent damage of the defective product is not covered under this warranty. This warranty does not apply to products installed in mobile homes or recreational vehicles.

II. INTENDED USE OF PRODUCT

To be covered by this warranty, the product must be used only for its intended purpose(s). Cabinets that have been improperly stored, installed, misused, modified, mishandled, and/or subject to excessive moisture or extreme temperature and humidity levels are not covered under this warranty. In addition, any damage caused by smoking and/or environmental/chemical effects are also not covered under this warranty.

III. ANTICIPATED VARIANCE IN PRODUCT

The Choice Cabinet warranty only applies to product defects and does not apply to properties of natural wood that are inherent in natural wood species. Any time you have a natural wood product, occurrences such as pinholes, knots, and variances in color or grain are normal and are not covered under this warranty.

Because half of the weight of freshly cut wood is water, its natural properties are such that they can react to climate and/or humidity changes in your home. Choice Cabinet doors and face frames are manufactured from solid wood that has been carefully kiln-dried, retaining just enough moisture for proper construction and finishing. These hardwoods continue to react to their surroundings long after the manufacturing process has been completed. When wood cabinet doors are in a warm, moist environment (high humidity), the wood expands. In a dry, colder environment (low humidity), the wood will contract. Even with humidity regulation, this phenomenon can be controlled, but it can never be completely eliminated.

Door panels may also be prone to this minor expansion and contraction as seasonal temperature and humidity changes occur in your home. The contraction (shrinkage) of the center door panel during periods of low humidity may result in the appearance of an unfinished line along the edge of the center panel.

Choice Cabinet does not consider the appearance of this line as a defect and will not replace doors due to this situation. Touch-up markers are made available to cover this edge line. The installation of a humidity control system is recommended to reduce the possibility of expansion and contraction in wood products.

All Choice Cabinet doors are manufactured in moisture-controlled environments under precise specifications. Although slight door warpage can be common in one or two doors within a newly installed kitchen, any door that has not been through a complete heating and cooling cycle has the possibility of warping. Slight warpage can be eliminated through hinge adjustments. Any warping that continues to occur should be further examined by removing the door from the cabinet and placing it on a flat surface. Hinge spacers are available through your authorized Choice Cabinet dealer in cases where the warpage cannot be eliminated through hinge adjustments. If warping cannot be eliminated through hinge adjustments or the use of hinge spacers, and if the doors have been through a complete heating and cooling cycle, and if all of the cabinets are true and plumb; then Choice Cabinet will consider replacement.

As mentioned above, normal movement in wood products is typical. In addition to issues listed above, climate conditions can cause finish breaks, recesses, and joint/panel lines. An open joint line is not considered a defect and is not covered under this warranty.

IV. PRODUCT REPAIR OR REPLACEMENT

Throughout the duration of the warranty period, Choice Cabinet's sole obligation is to repair or replace any defective product at no charge. This warranty only applies to cabinets and affiliated products sold by Choice Cabinet offered through an authorized Choice Cabinet dealer. In the event that a claim is filed after the original product has been discontinued or canceled, Choice Cabinet will honor the warranty, at its discretion, subject to the availability of the product, by either:

- Repairing or replacing the defective product with a new product of the same style
- Repairing or replacing the defective product with a product of equal value and complementary style in order to maintain the appearance of the original cabinetry purchase.

An exact match between the finish of the original purchased product and the replacement or repaired product is not guaranteed.

V. RIGHTS OF CONSUMER

There are no other warranties, disclosed or indicated, associated with this product. This document serves as a description of the consumer's definitive legal rights within the transaction and is the exclusive warranty of Choice Cabinet. The exclusion or partial limitation of contingent or substantial damages is not permissible in some states. The consumer may also have further rights from state-to-state which are not cited in this warranty.

VI. SUBMISSION OF A CLAIM

All claims must be submitted to the authorized Choice Cabinet dealer where the cabinets were originally purchased. Claims are to be submitted in writing. Every claim must include a dated copy of the original sales receipt as proof of purchase. Unless and until the product is specifically requested by the Choice Cabinet Claims Department, please do not send the defective item(s).

Warranty Information



1-YEAR LIMITED WARRANTY

I. DESCRIPTION OF WARRANTY

This warranty applies only to the original purchaser and is not transferable. From the time of purchase, Choice Cabinet offers a One Year Limited Warranty on all of its cabinetry. In addition to cabinetry, all drawers, shelves, roll out trays, and mechanical components are covered under the warranty as well. In the event that any Choice Cabinet product fails during the course of normal use, Choice Cabinet, at its discretion, will either repair or replace the defective product.

Whether the work was performed by a contractor, Choice Cabinet authorized dealer, or yourself; any expenses involved in the shipping, removal, installation, or consequent damage of the defective product is not covered under this warranty. This warranty does not apply to products installed in mobile homes or recreational vehicles.

II. INTENDED USE OF PRODUCT

To be covered by this warranty, the product must be used only for its intended purpose(s). Cabinets that have been improperly stored, installed, misused, modified, mishandled, and/or subject to excessive moisture or extreme temperature and humidity levels are not covered under this warranty. In addition, any damage caused by smoking and/or environmental/chemical effects are also not covered under this warranty.

III. ANTICIPATED VARIANCE IN PRODUCT

The Choice Cabinet warranty only applies to product defects and does not apply to properties of natural wood that are inherent in natural wood species. Any time you have a natural wood product, occurrences such as pinholes, knots, and variances in color or grain are normal and are not covered under this warranty.

Because half of the weight of freshly cut wood is water, its natural properties are such that they can react to climate and/or humidity changes in your home. Choice Cabinet doors and face frames are manufactured from solid wood that has been carefully kiln-dried, retaining just enough moisture for proper construction and finishing. These hardwoods continue to react to their surroundings long after the manufacturing process has been completed. When wood cabinet doors are in a warm, moist environment (high humidity), the wood expands. In a dry, colder environment (low humidity), the wood will contract. Even with humidity regulation, this phenomenon can be controlled, but it can never be completely eliminated.

Door panels may also be prone to this minor expansion and contraction as seasonal temperature and humidity changes occur in your home. The contraction (shrinkage) of the center door panel during periods of low humidity may result in the appearance of an unfinished line along the edge of the center panel.

Choice Cabinet does not consider the appearance of this line as a defect and will not replace doors due to this situation. Touch-up markers are made available to cover this edge line. The installation of a humidity control system is recommended to reduce the possibility of expansion and contraction in wood products.

All Choice Cabinet doors are manufactured in moisture-controlled environments under precise specifications. Although slight door warping can be common in one or two doors within a newly installed kitchen, any door that has not been through a complete heating and cooling cycle has the possibility of warping. Slight warping can be eliminated through hinge adjustments. Any warping that continues to occur should be further examined by removing the door from the cabinet and placing it on a flat surface. Hinge spacers are available through your authorized Choice Cabinet dealer in cases where the warping cannot be eliminated through hinge adjustments. If warping cannot be eliminated through hinge adjustments or the use of hinge spacers, and if the doors have been through a complete heating and cooling cycle, and if all of the cabinets are true and plumb; then Choice Cabinet will consider replacement.

As mentioned above, normal movement in wood products is typical. In addition to issues listed above, climate conditions can cause finish breaks, recesses, and joint/panel lines. An open joint line is not considered a defect and is not covered under this warranty.

IV. PRODUCT REPAIR OR REPLACEMENT

Throughout the duration of the warranty period, Choice Cabinet's sole obligation is to repair or replace any defective product at no charge. This warranty only applies to cabinets and affiliated products sold by Choice Cabinet offered through an authorized Choice Cabinet dealer. In the event that a claim is filed after the original product has been discontinued or canceled, Choice Cabinet will honor the warranty, at its discretion, subject to the availability of the product, by either:

- Repairing or replacing the defective product with a new product of the same style
- Repairing or replacing the defective product with a product of equal value and complementary style in order to maintain the appearance of the original cabinetry purchase.

An exact match between the finish of the original purchased product and the replacement or repaired product is not guaranteed.

V. RIGHTS OF CONSUMER

There are no other warranties, disclosed or indicated, associated with this product. This document serves as a description of the consumer's definitive legal rights within the transaction and is the exclusive warranty of Choice Cabinet. The exclusion or partial limitation of contingent or substantial damages is not permissible in some states. The consumer may also have further rights from state-to-state, which are not cited in this warranty.

VI. SUBMISSION OF A CLAIM

All claims must be submitted to the authorized Choice Cabinet dealer where the cabinets were originally purchased. Claims are to be submitted in writing. Every claim must include a dated copy of the original sales receipt as proof of purchase. Unless and until the product is specifically requested by the Choice Cabinet Claims Department, please do not send the defective item(s).

NOTES
